

# EZI-LED™ SHELF LIGHTING

# INSTALLATION INSTRUCTIONS

PLEASE READ THROUGH AND UNDERSTAND EACH SECTION BEFORE COMMENCING ANY LED INSTALLATION

## Product Specifications

### A - LED Light Bar: 6500K (Cool White)

Lengths:	550mm	850mm	1150mm
Power:	6W	9W	12W
SKU:	LED-FL-65K-550	LED-FL-65K-850	LED-FL-65K-1150

### B - Power Track: with Magnetic Backing

Lengths:	600mm	900mm	1200mm	1800mm
SKU:	LED-PT-600-xx	LED-PT-900-xx	LED-PT-1200-xx	LED-PT-1800xx
Colours:	Black (BK) / White (WT)			

### C - Power Track to Power Track Connector:

Cable Length:	200mm	
Colour:	Black	White
SKU:	LED-PC-TT-BK	LED-PC-TT-WT

### D - Power Track to LED Light Bar Connector:

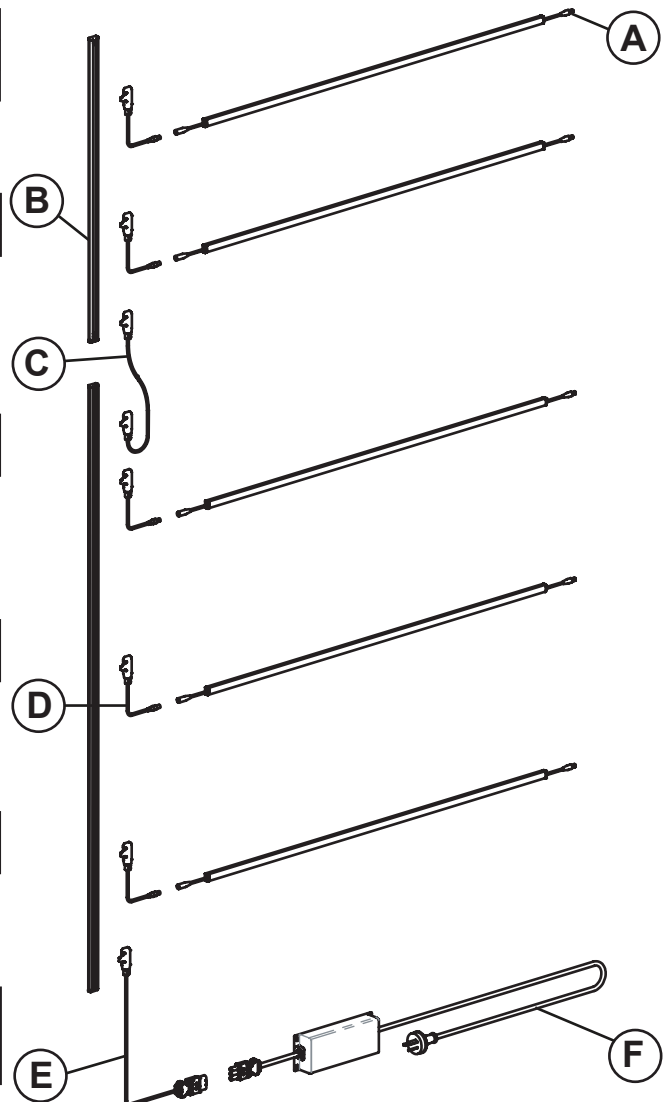
Cable Length:	500mm	
Colour:	Black	White
SKU:	LED-PC-TL-500-BK	LED-PC-TL-500-WT

### E - Power Track to Power Supply Connector:

Cable Length:	1000mm	
Colour:	Black	White
SKU:	LED-PC-MWTF-BK	LED-PC-MWTF-WT

### F - Power Supply: 24V Aluminium Case

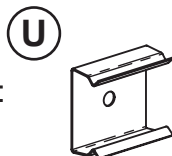
Wattage:	SKU:	MeanWell Model:
24V-100W	LED-TF-MW24-100W	XLG-100-24
24V-150W	LED-TF-MW24-150W	XLG-150-24
24V-200W	LED-TF-MW24-200W	XLG-200-24



### Other accessories -

LED Flat Surface Mount U-Clip:

SKU: LED-FL-UCLIP



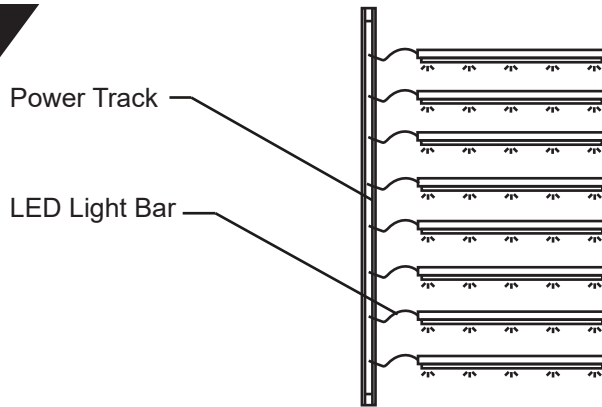
The image shown above is not to scale and is for demonstration purposes only

## IMPORTANT: Maximum LED Light Loading per Power Supply -

Power Supply	MeanWell Model:	LED Light Bars		
		550mm (6W)	850mm (9W)	1150mm (12W)
24V-100W	<b>XLG-100-24</b>	16	11	8
24V-150W	<b>XLG-150-24</b>	25	16	14
24V-200W	<b>XLG-200-24</b>	32	22	16

# Power Track Layout Options

## 1 Bay

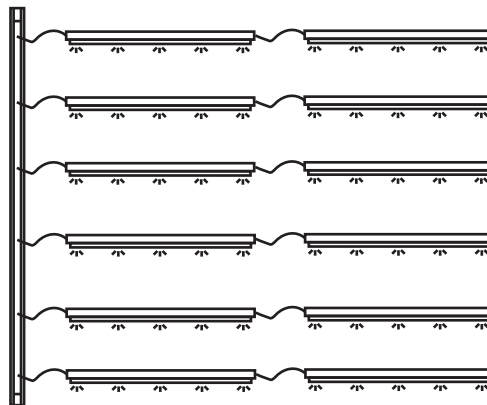


### PLEASE NOTE:

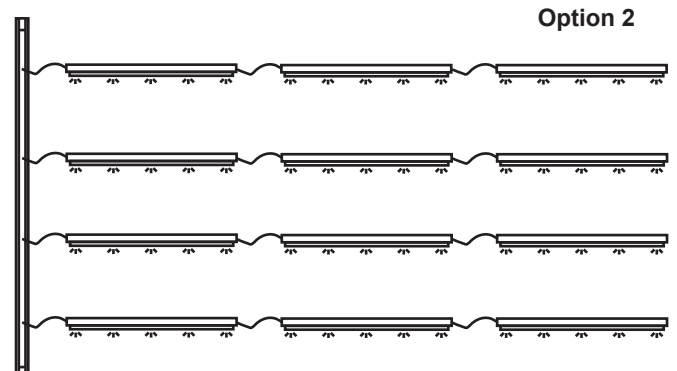
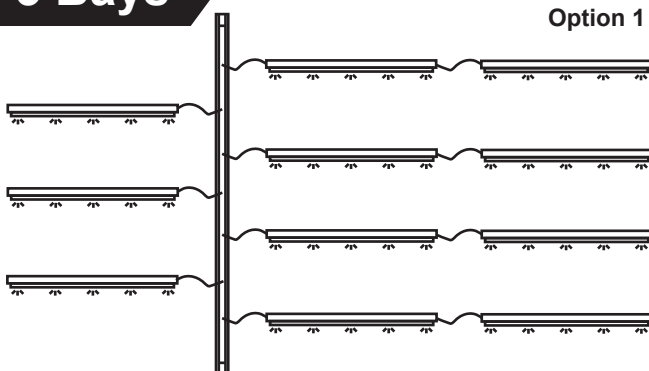
The layouts on this page are for conceptual purposes only.

Refer to the "**Maximum LED Light Loading**" Table on page 1 for the recommended LED Light Bar quantities per Power Supply.

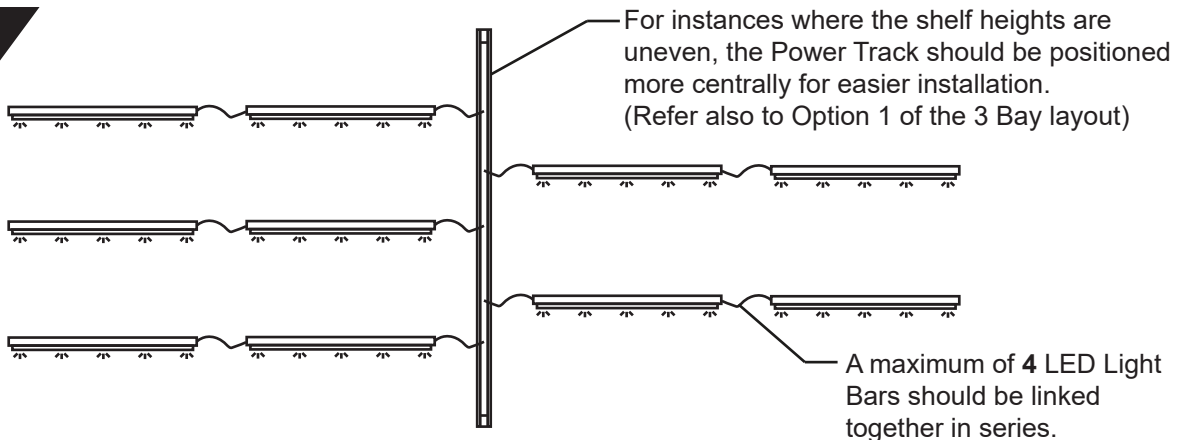
## 2 Bays



## 3 Bays



## 4 Bays



A maximum of 4 LED Light Bars should be linked together in series

A maximum of 4 LED Light Bars should be linked together in series.



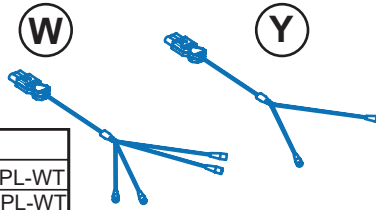
# Pelmet & In-Series Options

## Accessories required-

### Splitter Cable:

Cable Length: 1000mm

Colour:	Black	White
SKU:	LED-PC-MW-4SPL-BK	LED-PC-MW-4SPL-WT
	LED-PC-MW-2SPL-BK	LED-PC-MW-2SPL-WT



### PLEASE NOTE:

The layouts on this page are for conceptual purposes only.

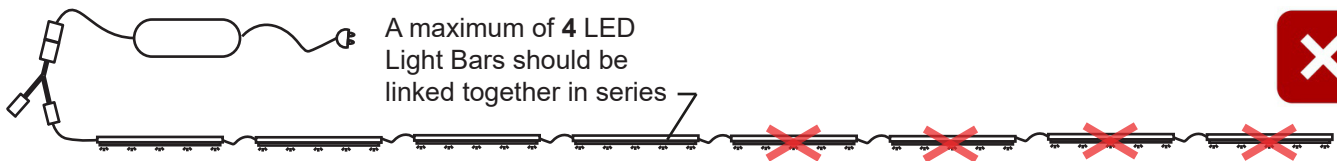
Refer to the **“Maximum LED Light Loading”** Table on page 1 for the recommended LED Light Bar quantities per Power Supply.

### Extension Cables:

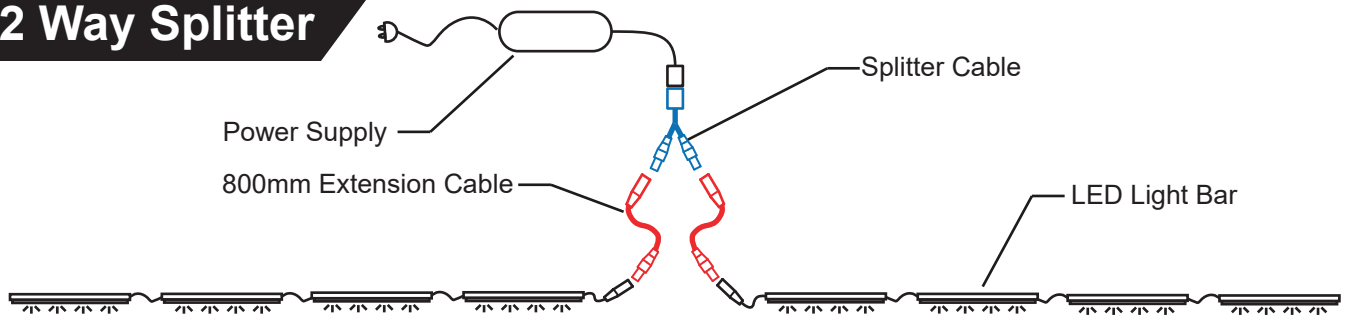


Cable Length:	125mm	300mm	800mm	1000mm	2500mm	6000mm
SKU: Black	LED-PC-LL-125-BK	LED-PC-LL-300-BK	LED-PC-LL-800-BK	LED-PC-LL-1000-BK	LED-PC-LL-2500-BK	LED-PC-LL-6000-BK
White	LED-PC-LL-125-WT	LED-PC-LL-300-WT	LED-PC-LL-800-WT	LED-PC-LL-1000-WT	LED-PC-LL-2500-WT	LED-PC-LL-6000-WT

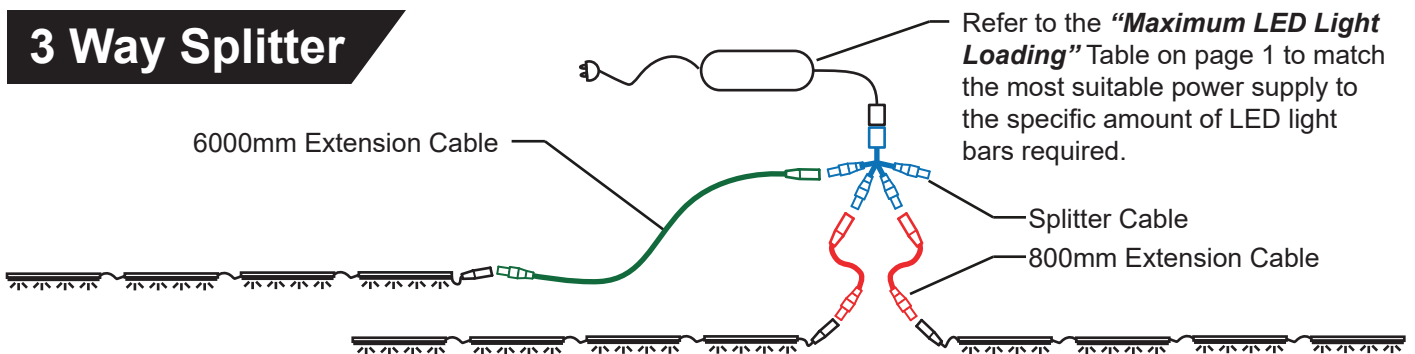
\*Add extension to make unique lengths



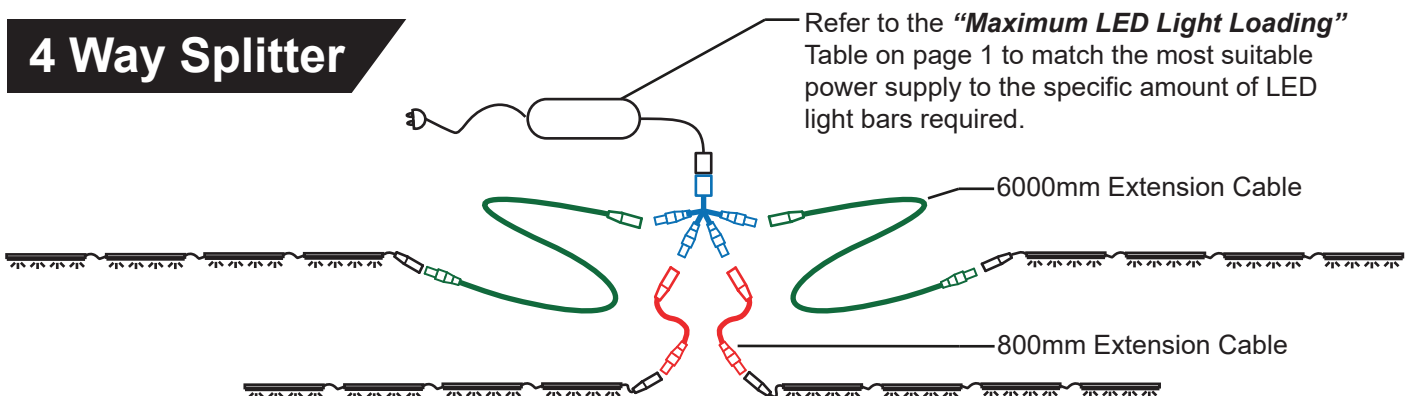
## 2 Way Splitter



## 3 Way Splitter

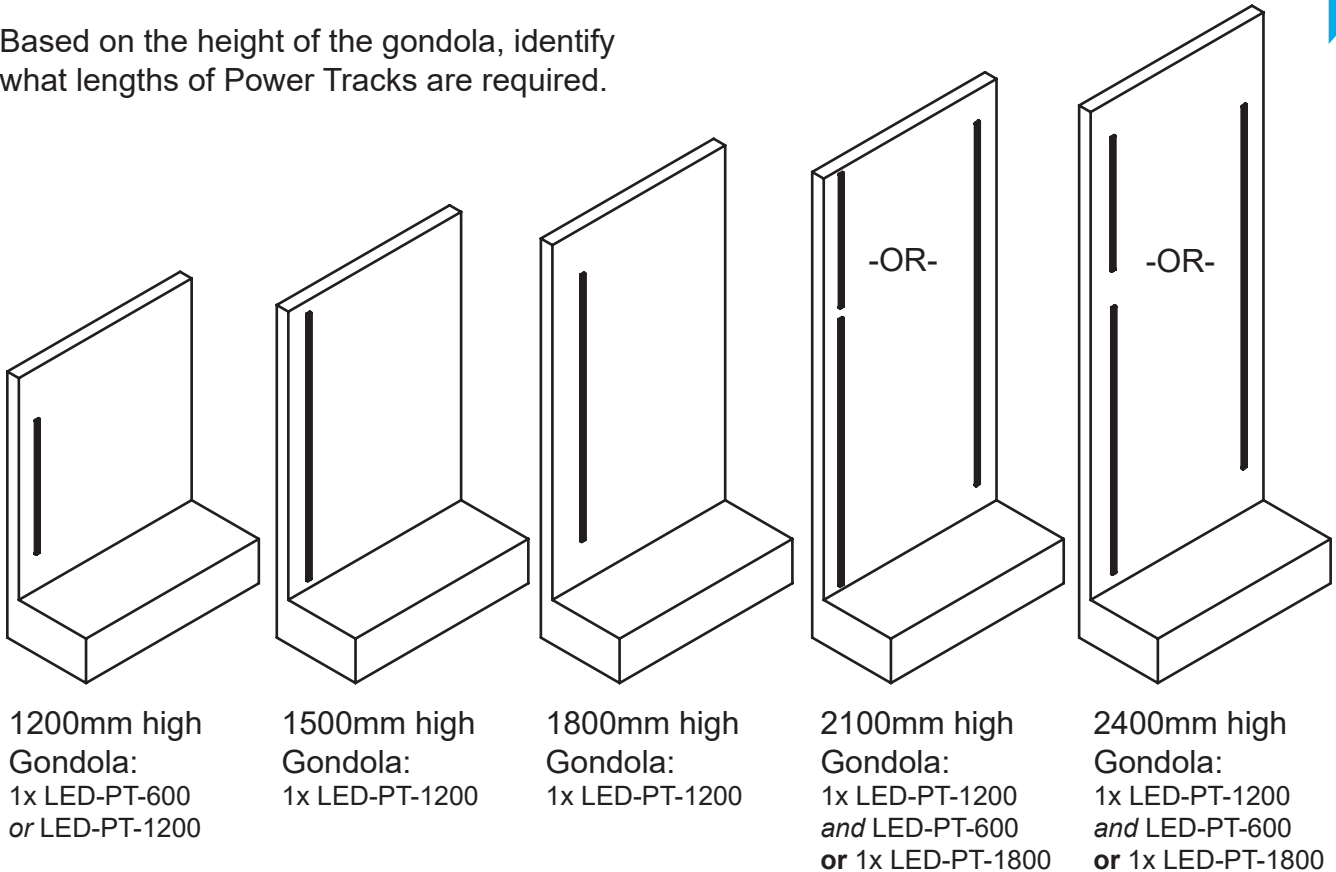


## 4 Way Splitter



## Step 1 - Identify Power Tracks required

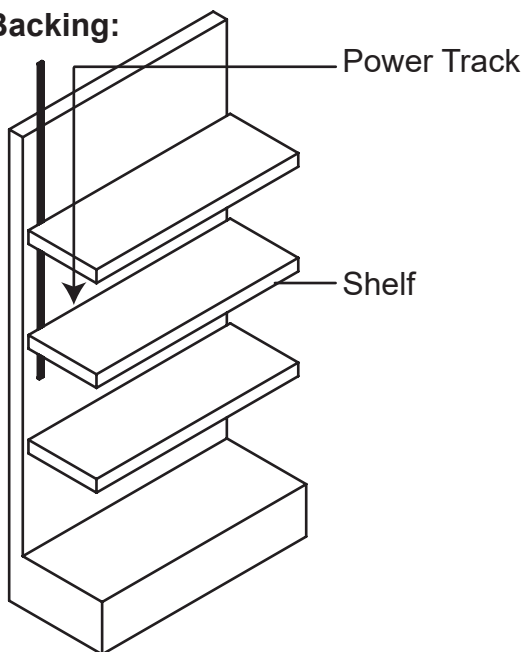
Based on the height of the gondola, identify what lengths of Power Tracks are required.



## Step 2 - Attach Power Track(s)

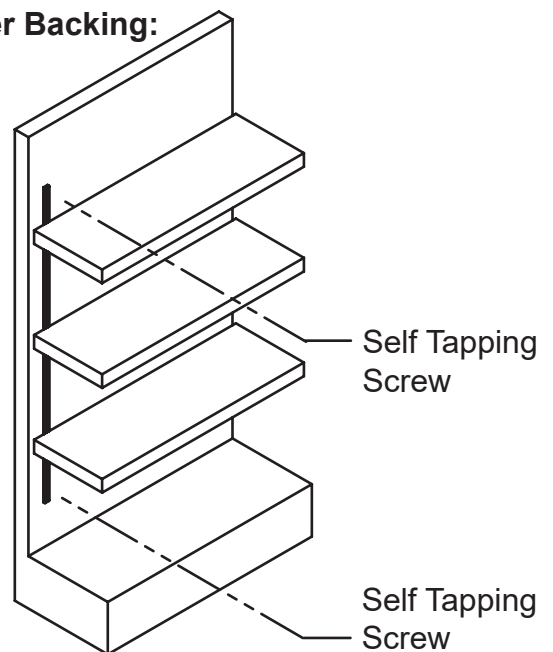
Assemble the Power Track(s) to the back wall of the gondola. Starting from the top, slide the Power Track down behind the existing shelves.

### Metal Backing:



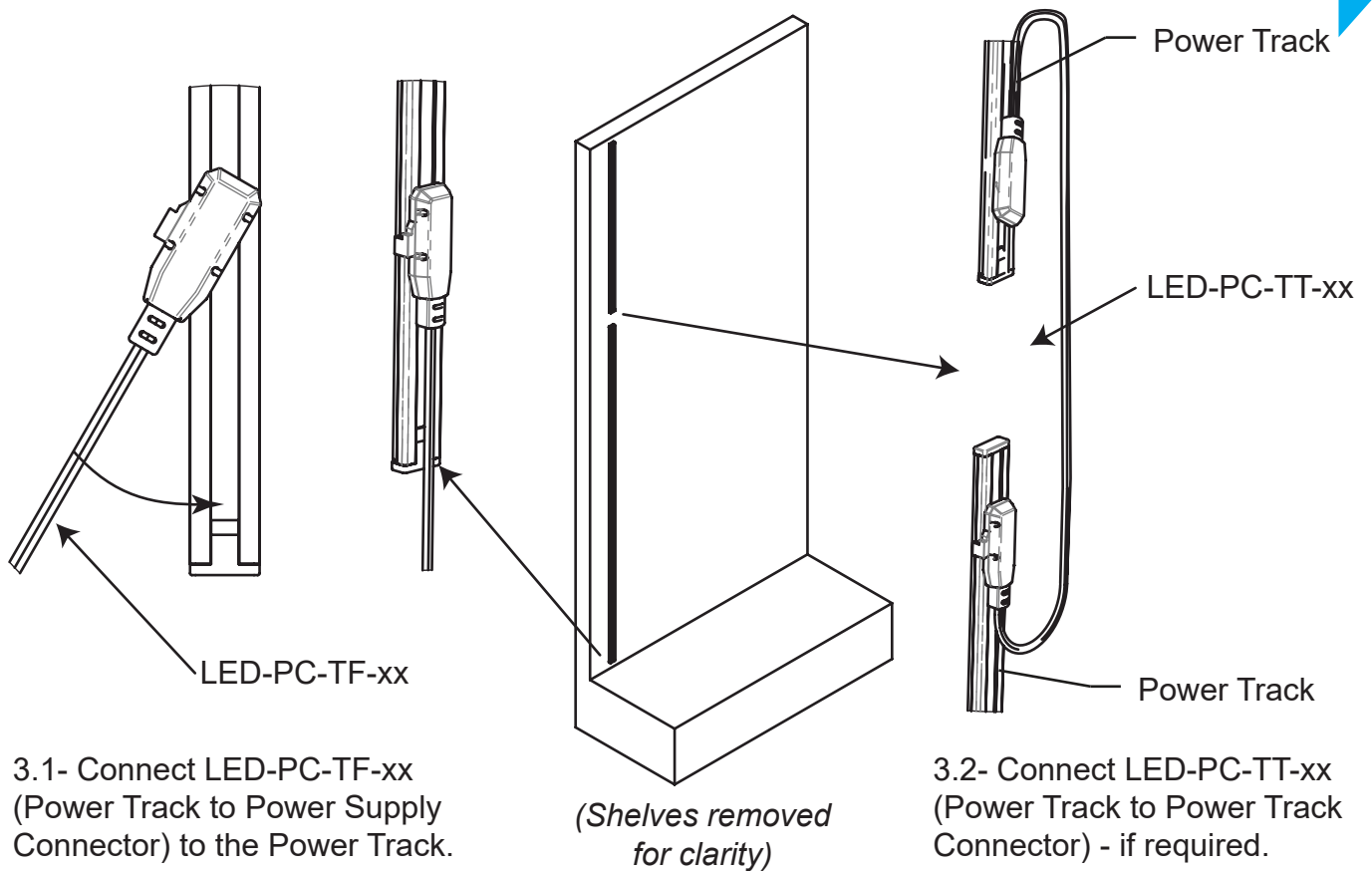
2.1- For gondolas with a sheetmetal backing, use the magnetic tape to stick the Power Track on.

### Timber Backing:



2.2- For gondolas with a timber backing, use self tapping screws to assemble the Power Track. (Pilot holes recommended)

## Step 3 - Attach Connectors

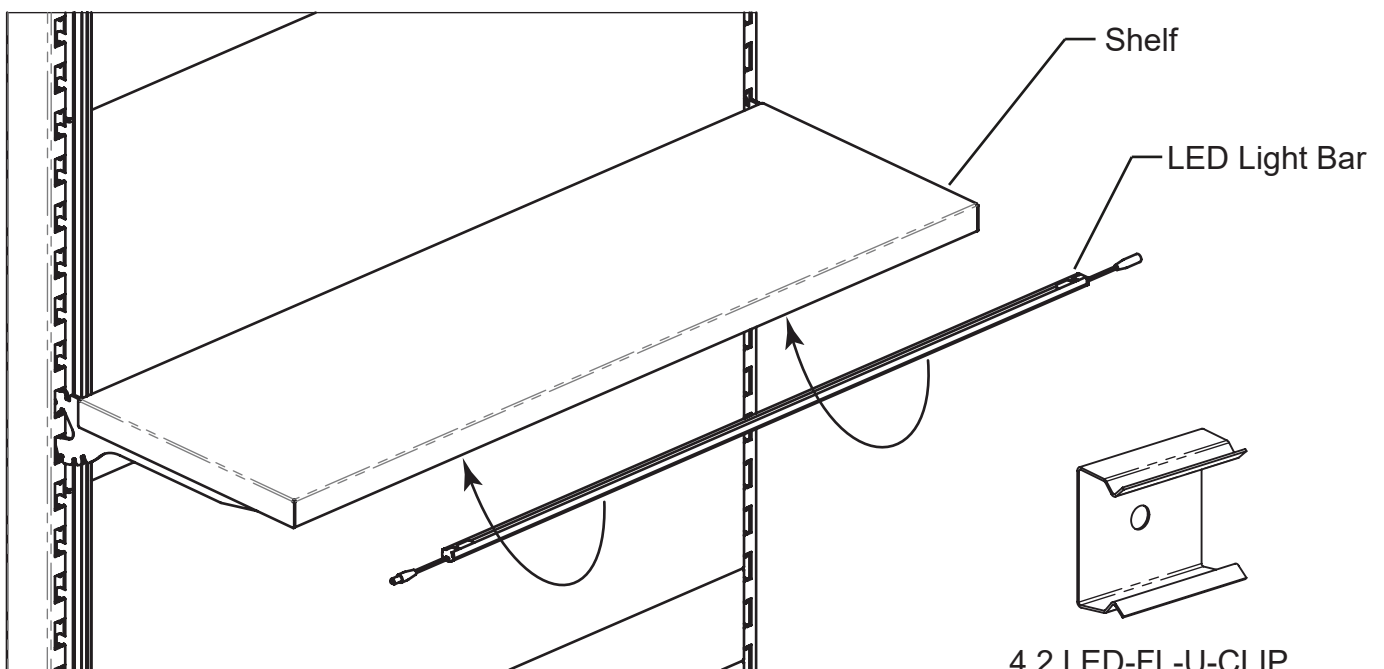


## Step 4 - Attach LED Light Bars

Attach the LED Light Bars to the shelf.

4.1- For metal and wire shelves, use the integrated magnets supplied.

4.2- For timber shelves, use the U-Clips (LED-FL-U-CLIP). Pre-screw the clips into the timber shelf before attaching the LED Light Bars.

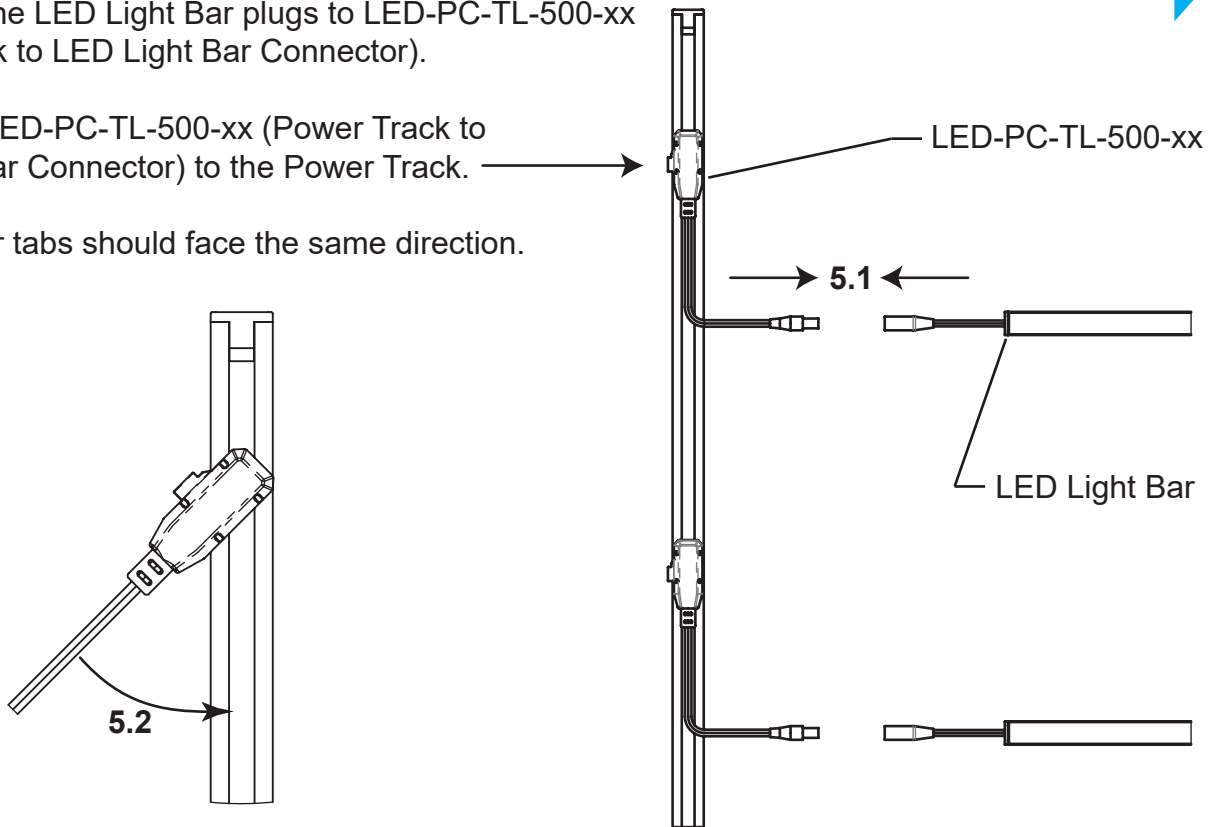


## Step 5 - Assemble the LED Light Bar Connectors

5.1- Attach the LED Light Bar plugs to LED-PC-TL-500-xx (Power Track to LED Light Bar Connector).

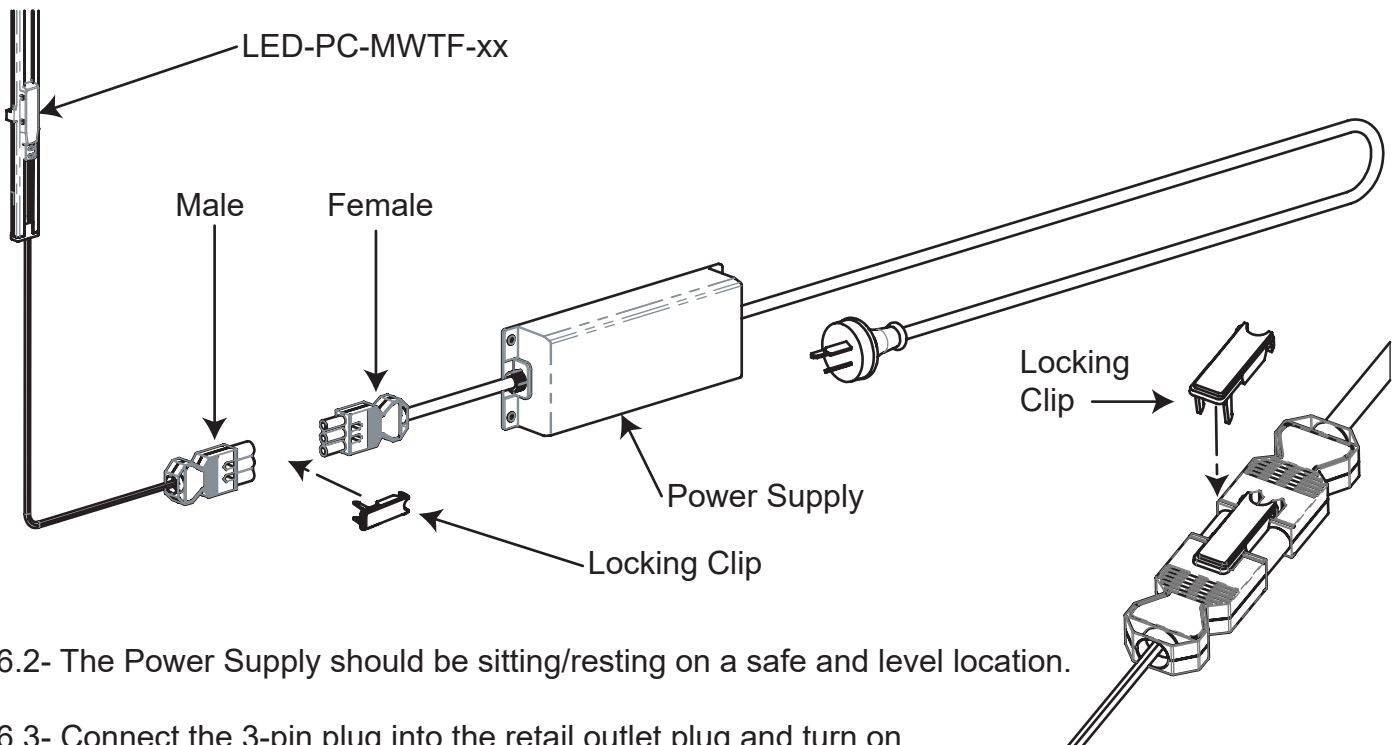
5.2- Attach LED-PC-TL-500-xx (Power Track to LED Light Bar Connector) to the Power Track.

All connector tabs should face the same direction.



## Step 6 - Attach Power Supply

6.1- Attach LED-PC-MWTF-xx (Power Track to Power Supply Connector) to the Power Supply plug. Use the Locking Clip to secure the 2 plugs together; preventing them from coming apart.



6.2- The Power Supply should be sitting/resting on a safe and level location.

6.3- Connect the 3-pin plug into the retail outlet plug and turn on.

6.4- Check that all LED Light Bars are on and working.

# EZI-LED™

## SHELF LIGHTING

### Installation Checklist

*Tick when completed*

1. Before installation, check that all parts have been unpacked and checked for any damage.
2. Check that no more than the recommended LED Light Bars are attached to the one Power Supply. (Refer to the Table below)

		LED Light Bars			
		MeanWell Model:	550mm (6W)	850mm (9W)	1150mm (12W)
Power Supply	24V-100W	<b>XLG-100-24</b>	<b>16</b>	<b>11</b>	<b>8</b>
	24V-150W	<b>XLG-150-24</b>	<b>25</b>	<b>16</b>	<b>14</b>
	24V-200W	<b>XLG-200-24</b>	<b>32</b>	<b>22</b>	<b>16</b>

3. Check that no more than 4 LED Light Bars are linked together in the same direction.
4. Check that all connector tabs attached to the Power Track are all facing the same direction.
5. Check that the plugs for the LED-PC-MWTF-xx (Power Track to Power Supply Connector) and Power Supply are secured together with a locking clip.
6. Check that the Power Supply is sitting in a safe and level location.
7. Check that no wires (or cables) are installed under tension.
8. Check that all the LED Light Bars are on and working

### Installation Sign-off

Installation Contractor Name: \_\_\_\_\_ Signature: \_\_\_\_\_ Date: \_\_\_\_\_

Electrician Name: \_\_\_\_\_ Signature: \_\_\_\_\_ Date: \_\_\_\_\_

Electrician Licence No.: \_\_\_\_\_

Store Name: \_\_\_\_\_ Location: \_\_\_\_\_

Store Manager/Representative Name: \_\_\_\_\_ Signature: \_\_\_\_\_ Date: \_\_\_\_\_