

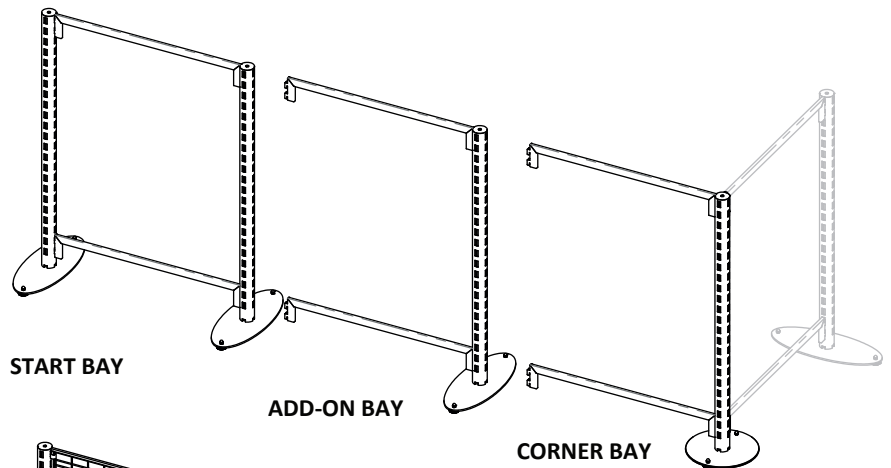
EZI-Q - ASSEMBLY INSTRUCTIONS

OVERALL CONFIGURATIONS

CONFIGURATION 1

EZI-Q HANGSELL

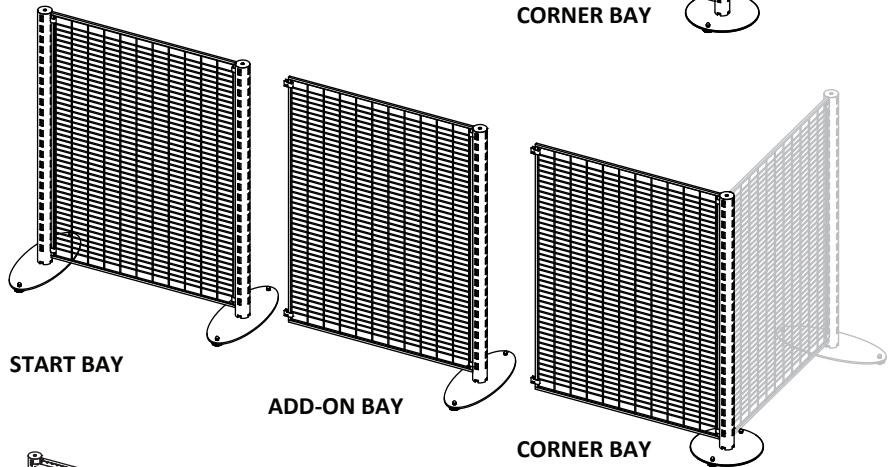
(Refer to Page 2)



CONFIGURATION 2

EZI-Q MESH

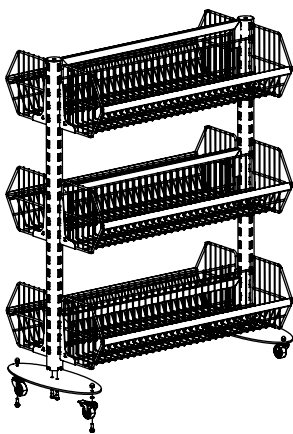
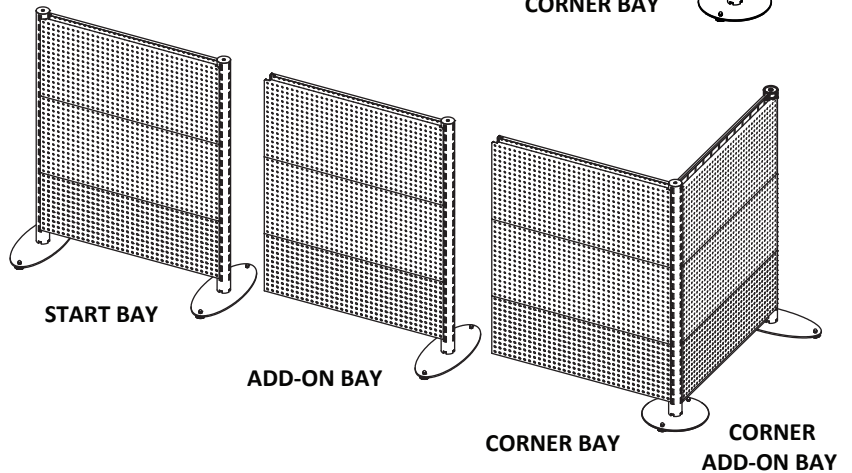
(Refer to Page 3)



CONFIGURATION 3

EZI-Q VOLCANO PEGBOARD

(Refer to Pages 4 & 5)



CONFIGURATION 4

EZI-Q MOBILE KIT

(Refer to Page 6)

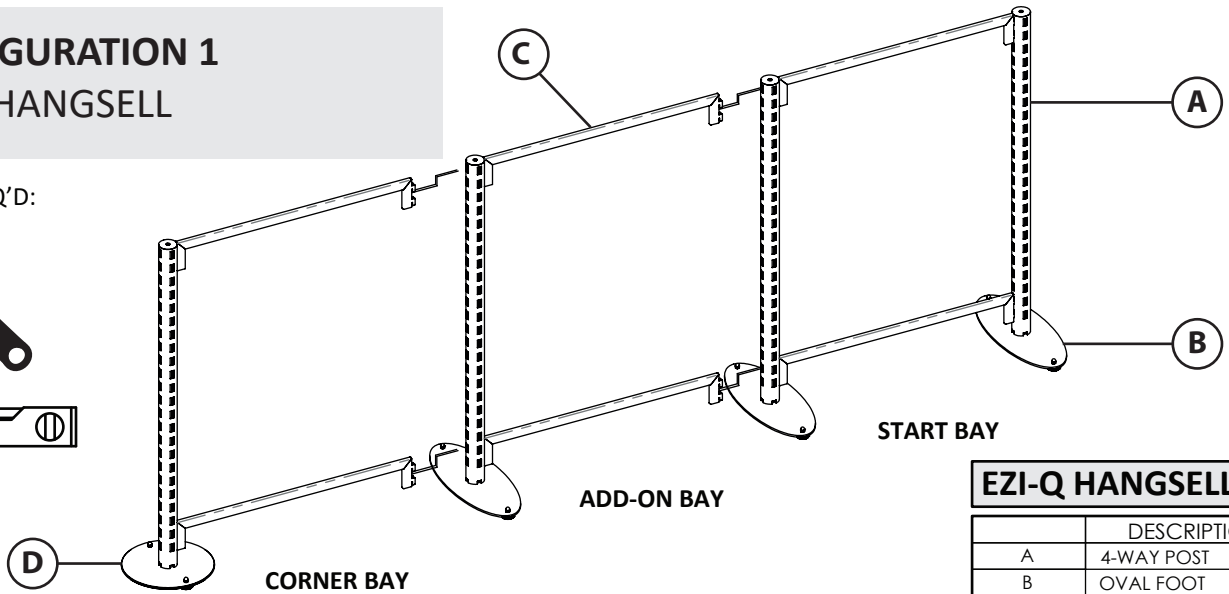
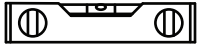
IMPORTANT - FOR YOUR SAFETY

- 2 people may be required for assembly.
- Ensure that the floor space required for installation is flat and level.
- Never use damaged parts.

CONFIGURATION 1

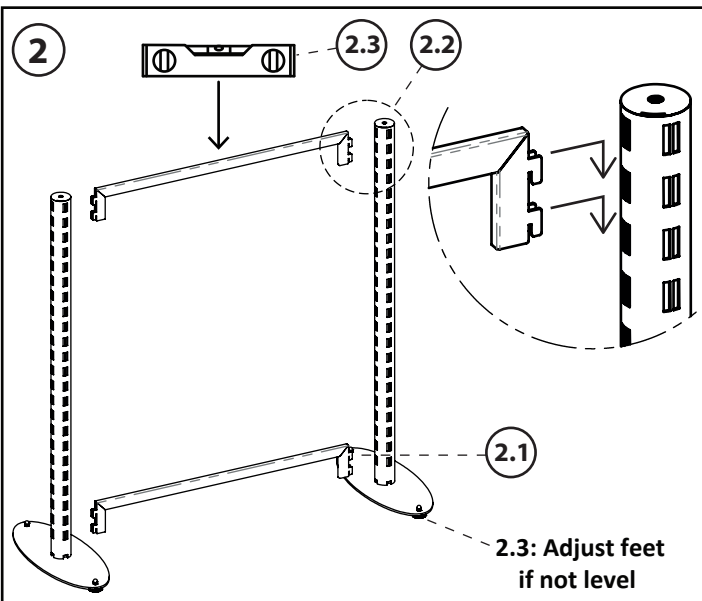
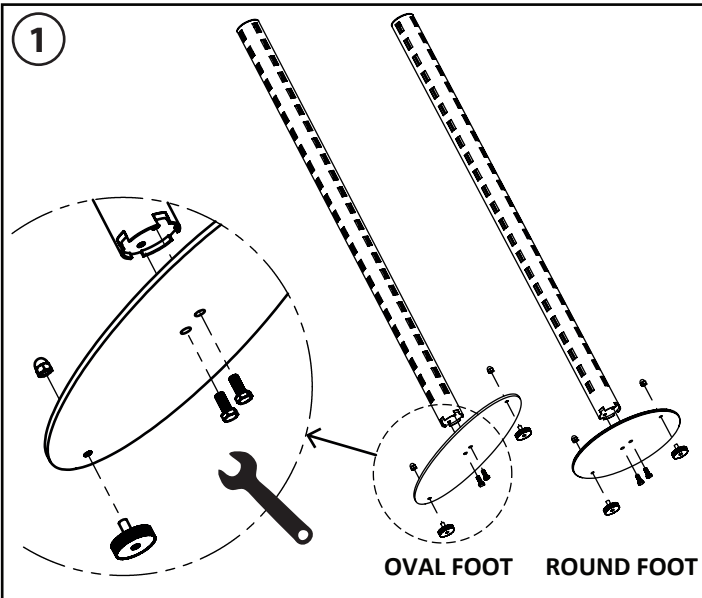
EZI-Q HANGSELL

TOOLS REQ'D:



EZI-Q HANGSELL	
	DESCRIPTION
A	4-WAY POST
B	OVAL FOOT
C	TIE BAR
D	ROUND FOOT

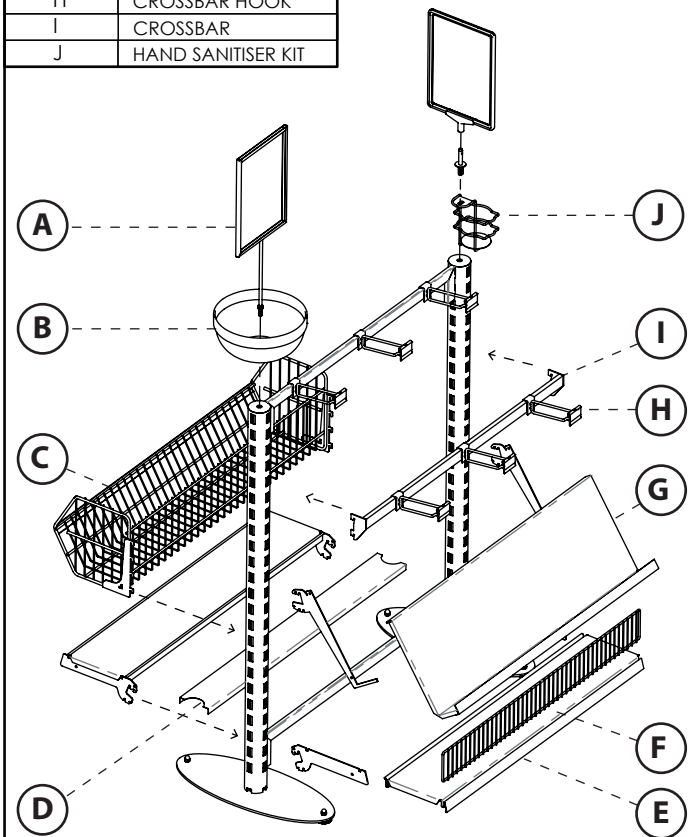
PLEASE READ AND UNDERSTAND THE STEPS BELOW BEFORE COMMENCING ANY ASSEMBLY



3 - ACCESSORIES

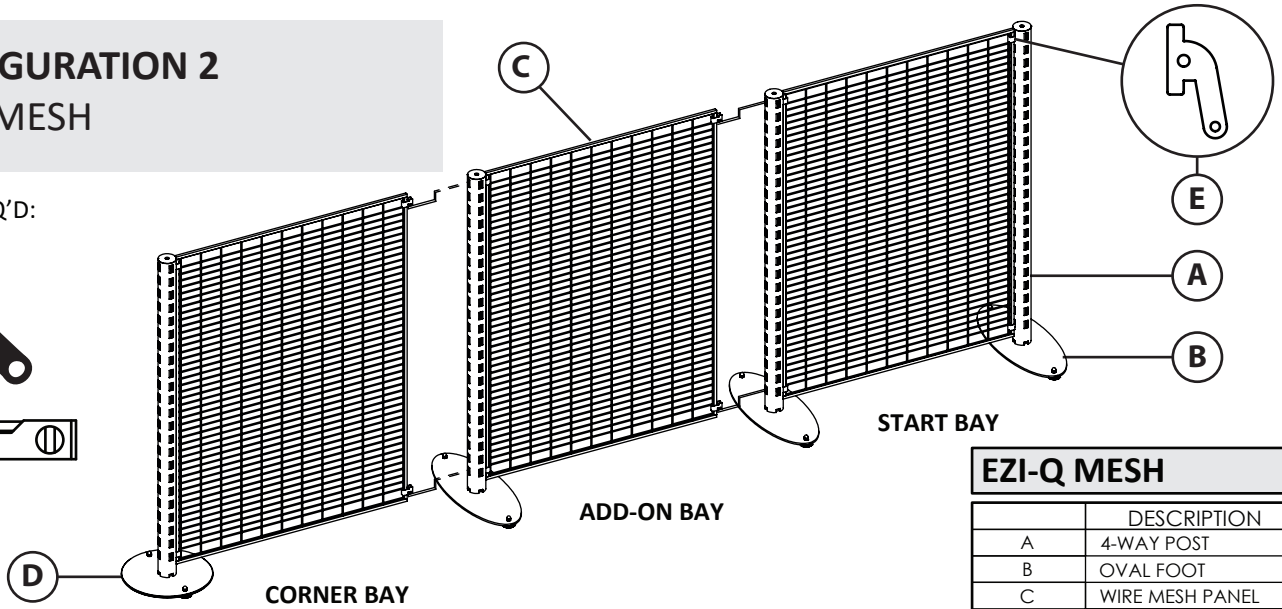
	DESCRIPTION
A	METAL SIGNHOLDER
B	ACRYLIC BOWL
C	WIRE BASKET
D	SHELF GAP COVER
E	FLAT SHELF
F	FENCE/RISER
G	MAGAZINE RACK
H	CROSSBAR HOOK
I	CROSSBAR
J	HAND SANITISER KIT

(The exploded visual below is for reference purposes only. All accessories & layouts will vary depending on the actual stock being merchandised)



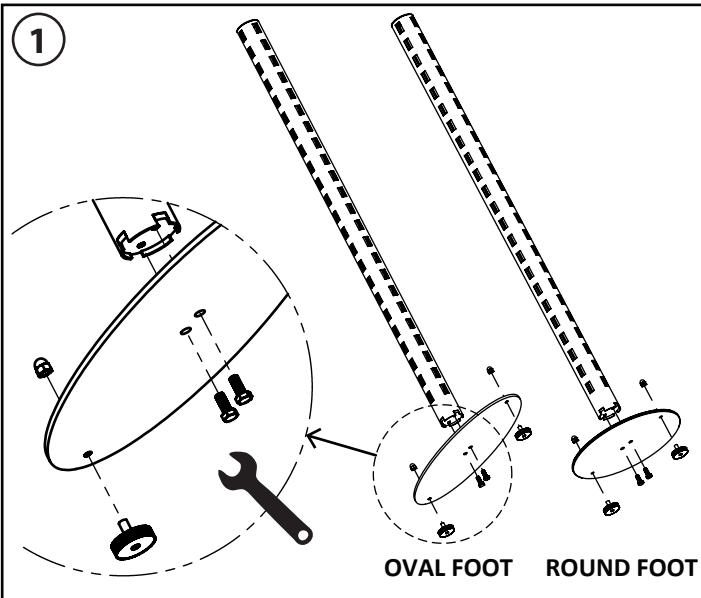
CONFIGURATION 2 EZI-Q MESH

TOOLS REQ'D:



EZI-Q MESH	
	DESCRIPTION
A	4-WAY POST
B	OVAL FOOT
C	WIRE MESH PANEL
D	ROUND FOOT
E	LOCKING PIN

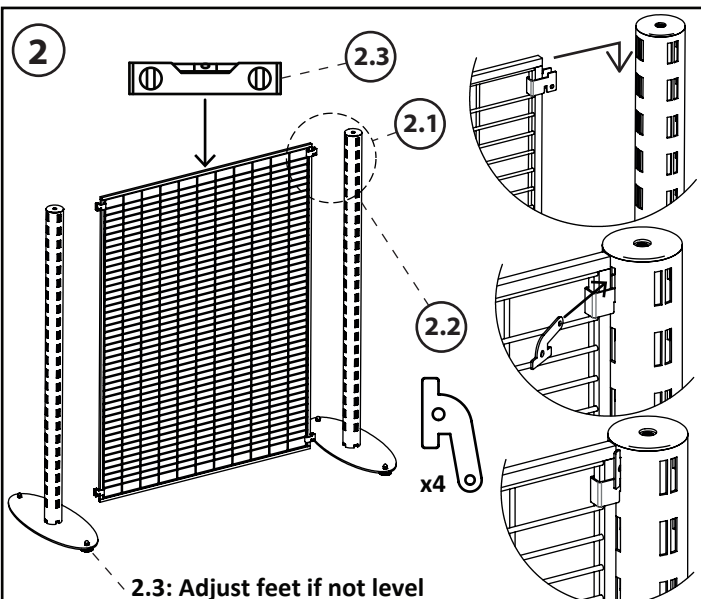
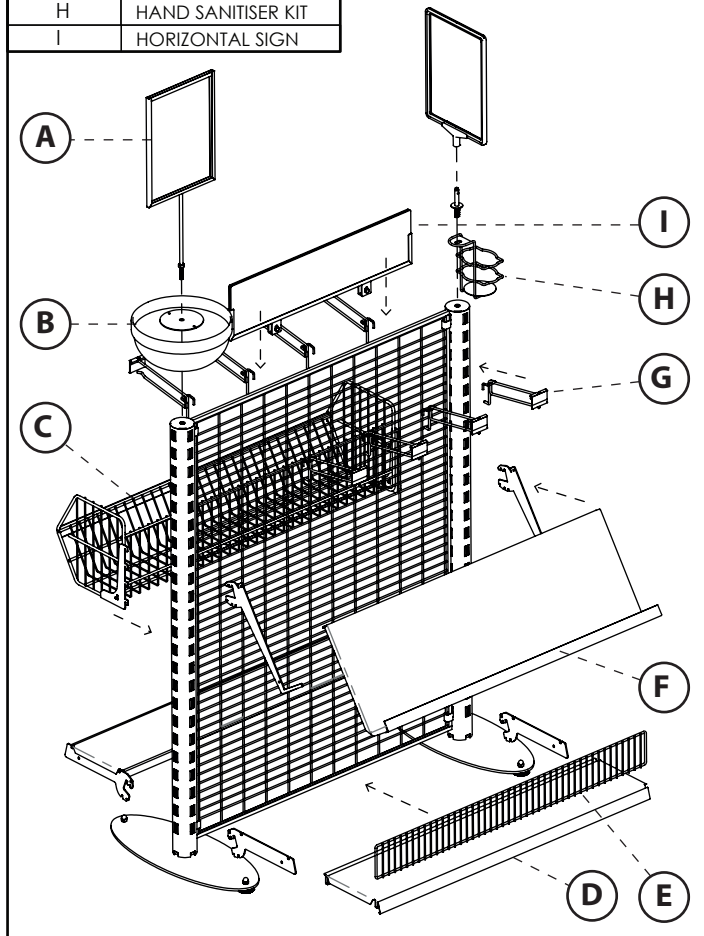
PLEASE READ AND UNDERSTAND THE STEPS BELOW BEFORE COMMENCING ANY ASSEMBLY



3 - ACCESSORIES

	DESCRIPTION
A	METAL SIGNHOLDER
B	ACRYLIC BOWL
C	WIRE BASKET
D	FLAT SHELF
E	FENCE/RISER
F	MAGAZINE RACK
G	GRIDMESH HOOK
H	HAND SANITISER KIT
I	HORIZONTAL SIGN

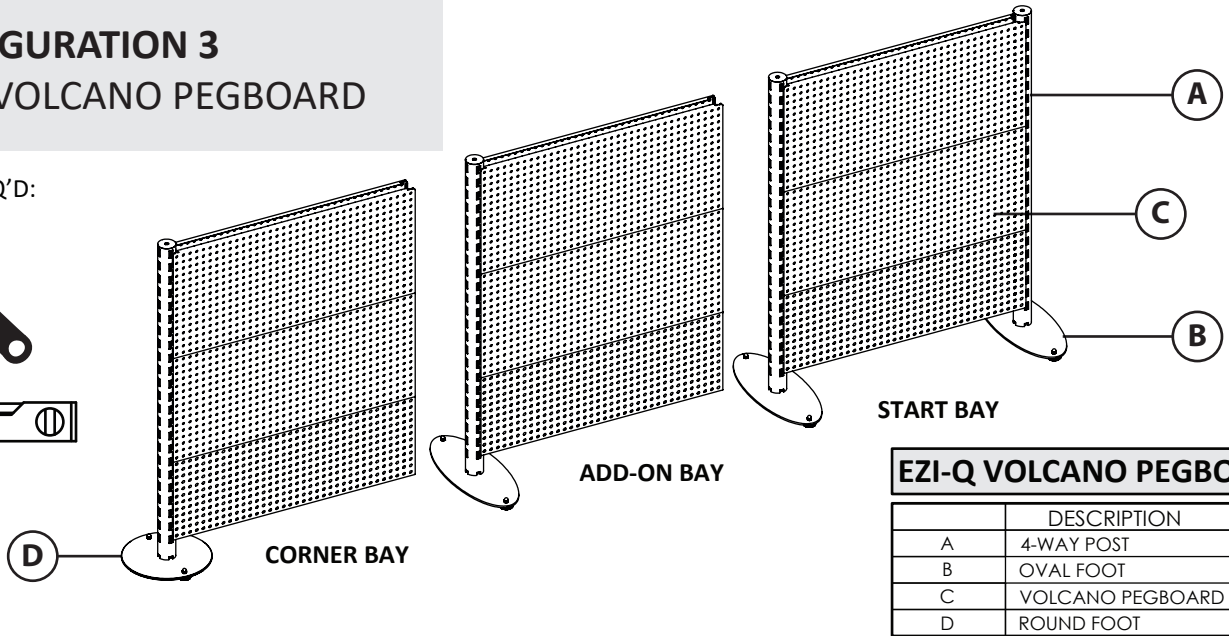
(The exploded visual below is for reference purposes only. All accessories & layouts will vary depending on the actual stock being merchandised)



CONFIGURATION 3

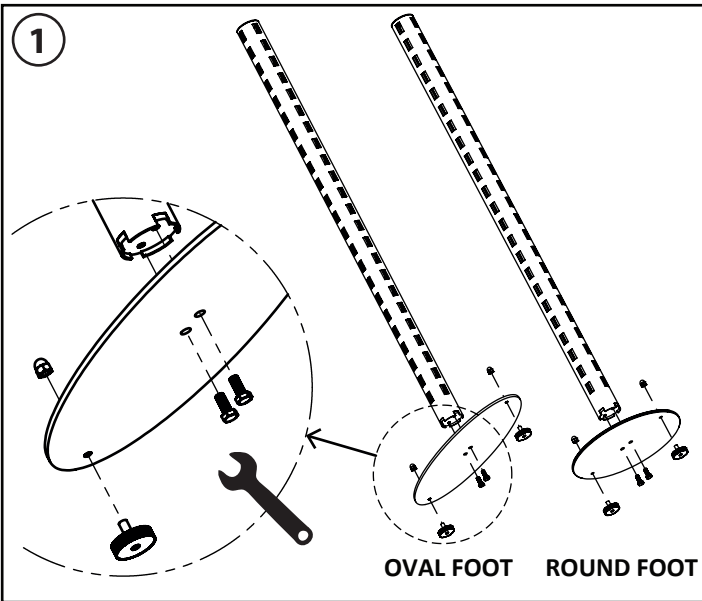
EZI-Q VOLCANO PEGBOARD

TOOLS REQ'D:



EZI-Q VOLCANO PEGBOARD	
	DESCRIPTION
A	4-WAY POST
B	OVAL FOOT
C	VOLCANO PEGBOARD PANEL
D	ROUND FOOT

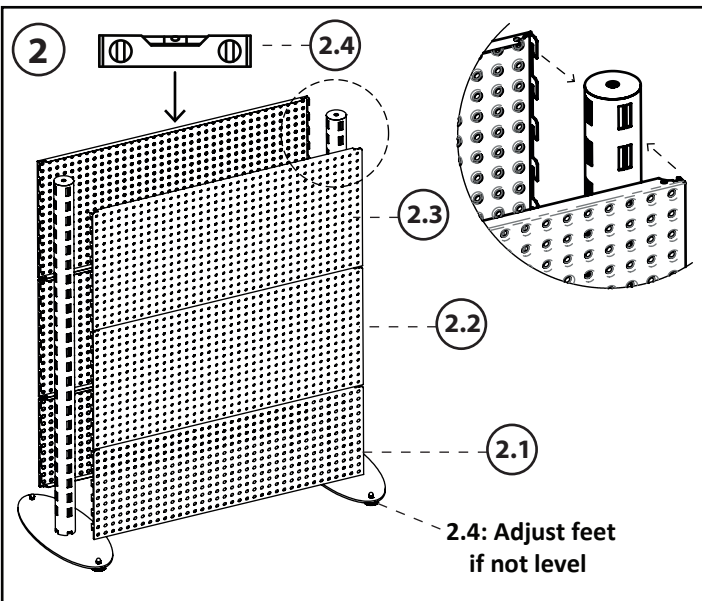
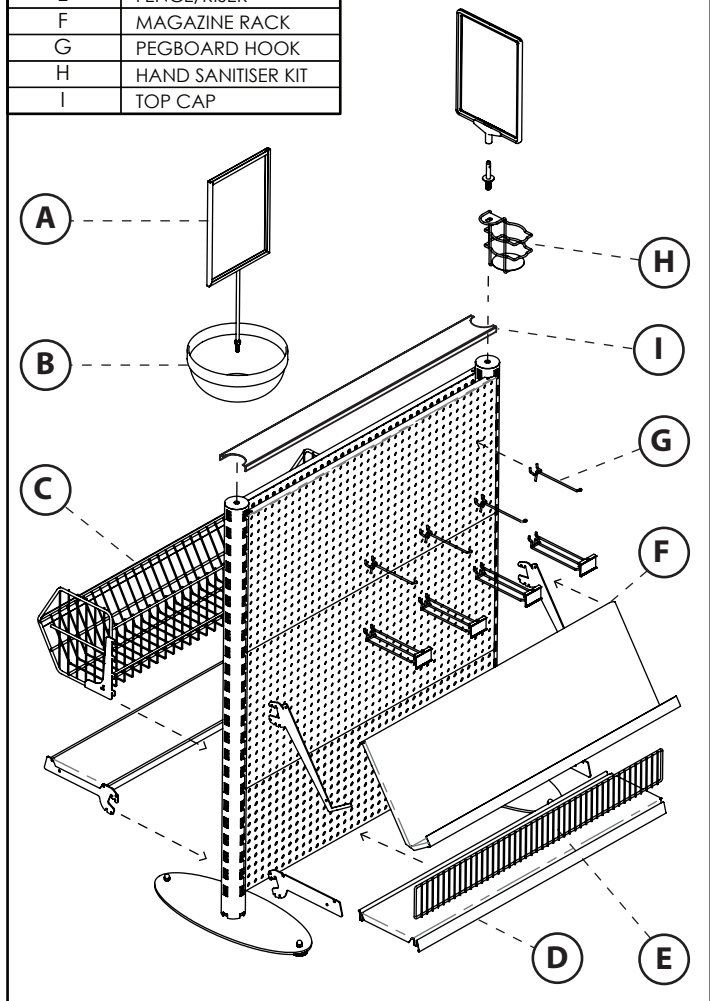
PLEASE READ AND UNDERSTAND THE STEPS BELOW BEFORE COMMENCING ANY ASSEMBLY



3 - ACCESSORIES

	DESCRIPTION
A	METAL SIGNHOLDER
B	ACRYLIC BOWL
C	WIRE BASKET
D	FLAT SHELF
E	FENCE/RISER
F	MAGAZINE RACK
G	PEGBOARD HOOK
H	HAND SANITISER KIT
I	TOP CAP

(The exploded visual below is for reference purposes only. All accessories & layouts will vary depending on the actual stock being merchandised)



CONFIGURATION 3

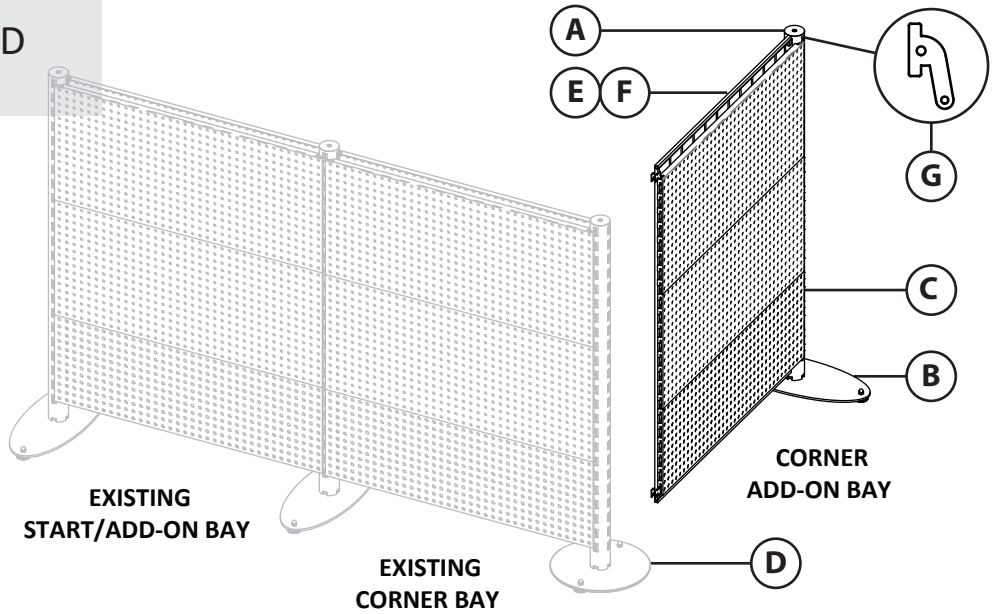
EZI-Q VOLCANO PEGBOARD - CORNER ADD-ON BAY

TOOLS REQ'D:

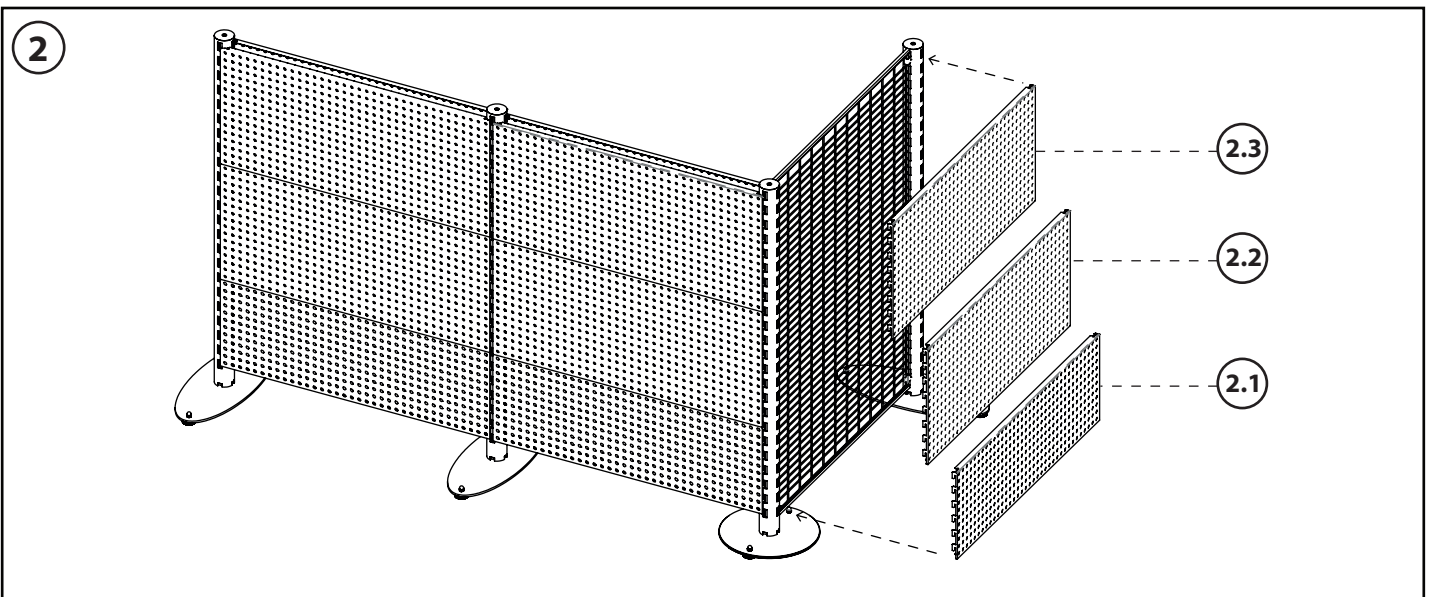
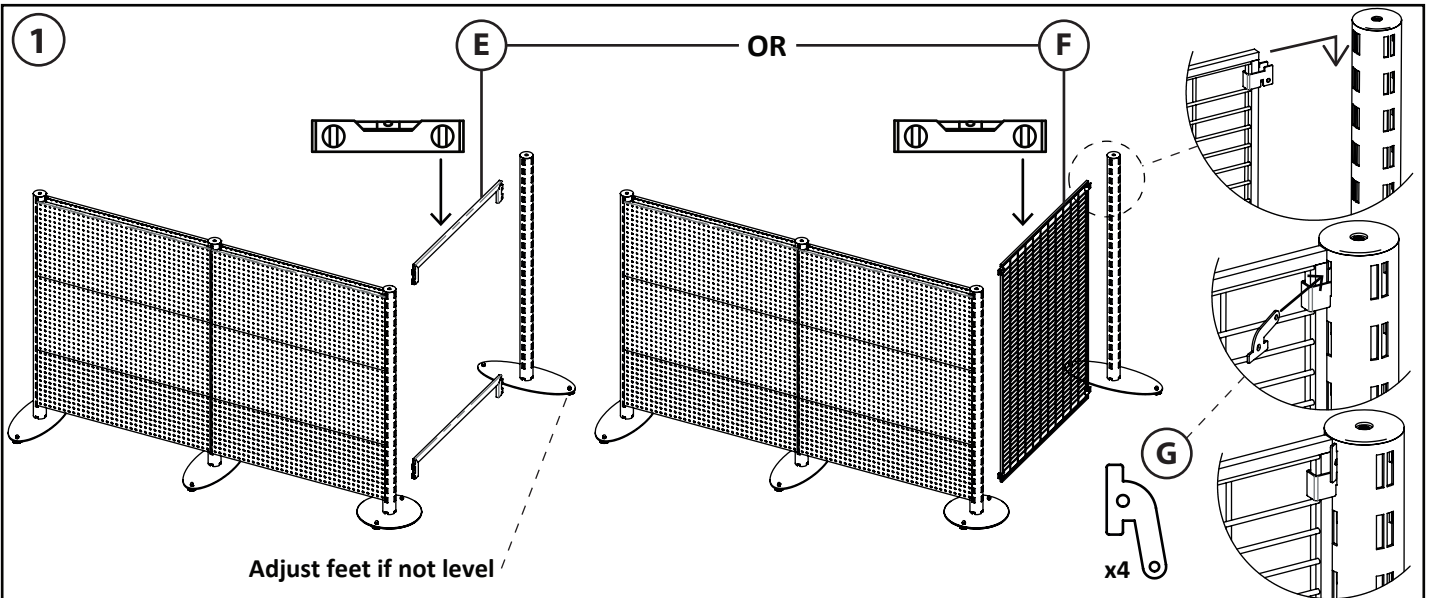


EZI-Q VOLCANO PEGBOARD

	DESCRIPTION
A	4-WAY POST
B	OVAL FOOT
C	VOLCANO PEGBOARD PANEL
D	ROUND FOOT
E	TIE BAR
F	WIRE MESH PANEL
G	LOCKING PIN

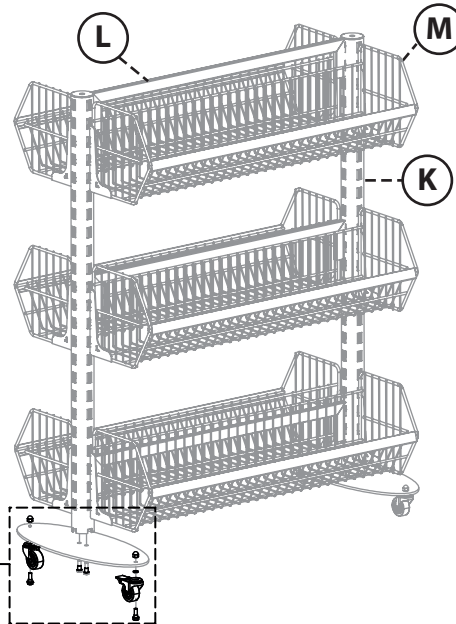
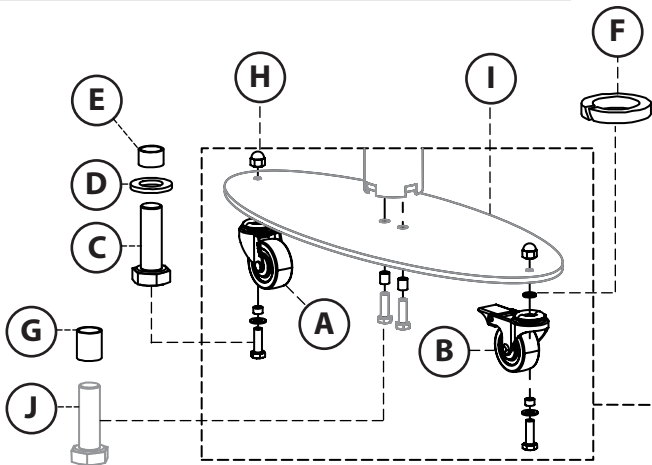


PLEASE READ AND UNDERSTAND THE STEPS BELOW BEFORE COMMENCING ANY ASSEMBLY



CONFIGURATION 4 EZI-Q MOBILE KIT

TOOLS REQ'D:



EZI-Q - MOBILE KIT	
	DESCRIPTION
A	CASTOR
B	LOCKING CASTOR
C	M8X25 BOLT
D	M8 WASHER
E	SLEEVE - 6MM
F	M8 SPRING WASHER
G	SLEEVE - 11MM
H	ACORN NUT

EZI-Q - EXISTING	
	DESCRIPTION
I	BASE PLATE
J	M8X25 BOLT
K	UPRIGHT
L	TIE BAR
M	BASKET

PLEASE NOTE;
EZI-Q MOBILE KIT IS SUPPLIED SEPERATELY, AND IS AN ADD ON TO PRE-PURCHASED EZI-Q SINGLE BAY

PLEASE READ AND UNDERSTAND THE STEPS BELOW BEFORE COMMENCING ANY ASSEMBLY

1

Existing feet and bolts to be removed. Keep bolts for next step.

2

Re-assemble Upright using "Mobile kit". Ensure bolts are tightened sufficiently.

3

Each assembly must include 3 tie bars.

4

RECOMMENDATIONS

Weight Loading

Product: Queue Management

Recommended Loads for a Single Bay, Double-Sided Display with Shelving

- The Uniformly Distributed Loading (UDL) is defined by the load being evenly distributed across the entire shelving, as well as equally shared across multiple shelving and sides of the display.
- All bays are capable of double-sided display. The same recommend maximum loads can be applied to both sides of the bay provided all bays are level prior to load being applied.
- Posts must be securely attached to Base Foot per standard Installation instructions.
- Oval Base Foot (500mm) with adjustable levellers required to achieve maximum weight loading.
- Any configuration using Castors, all load configurations are Void and end user is responsible for all safe loading in Static and dynamic situations (i.e. when moved around).
- Wire Mesh (Diagram.1) or Tie Bars (Diagram.2) must be used to stabilise the posts. Wire Mesh require locking pins to be inserted to prevent vertical movement (Diagram. 1.1).
- Shelves are to be remain in standard Flat 0° position.
- The shelf must not be subjected to impact loads.

Diagram. 1

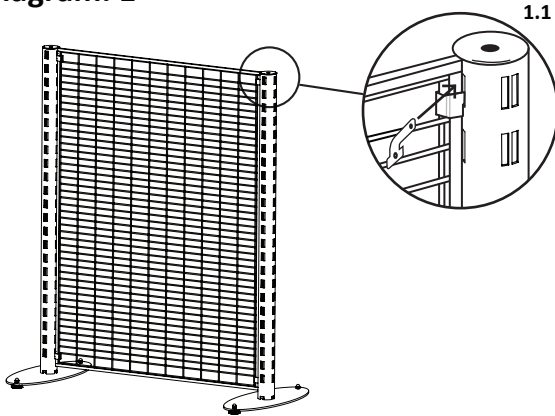
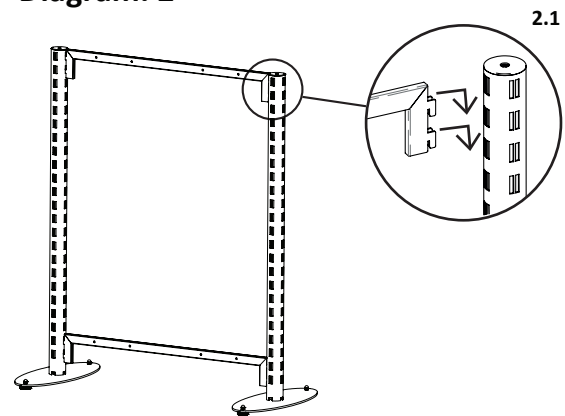





Diagram. 2

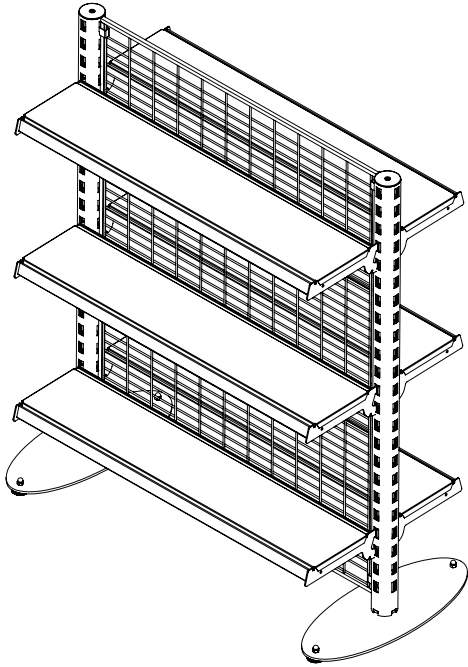


UDL Maximum Load per Shelf Shelf Types

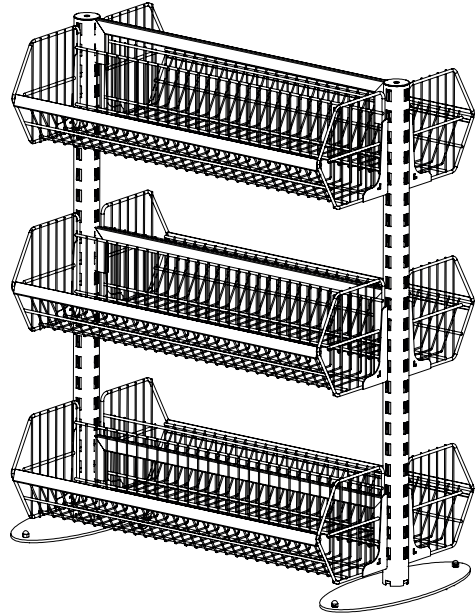
Maximum Total Load (kg)			
Shelf Types			
	Flat Metal Shelf		Wire Basket Shelf
Shelf Depth in mm	200	250	250
Maximum KG per Shelf	30	20	30
Max Shelves per side	3	3	3
Max. Load per Bay KG	180	120	180

 <p>THIS DOCUMENT MAY NOT BE SHOWN OR REPRODUCED BY ANY OTHER PARTY WITHOUT PRIOR WRITTEN CONSENT FROM SI RETAIL Pty Ltd. © 2020</p>	ASSEMBLY INSTRUCTIONS	DRAWN BY: SI RETAIL	SHEET: 7/8
	TITLE: EZI-Q VOLCANO PEGBOARD CONFIG.	FILE NAME: EZI-Q_ASS_INST	REVISION: E

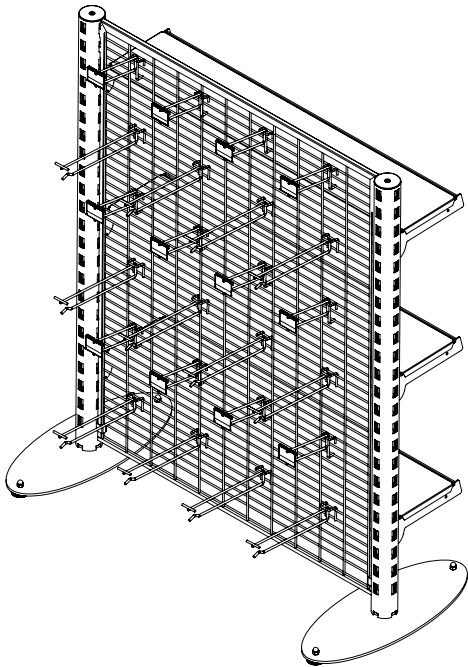
CONFIGURATIONS EXEMPLES
EZI-Q MOBILE KIT



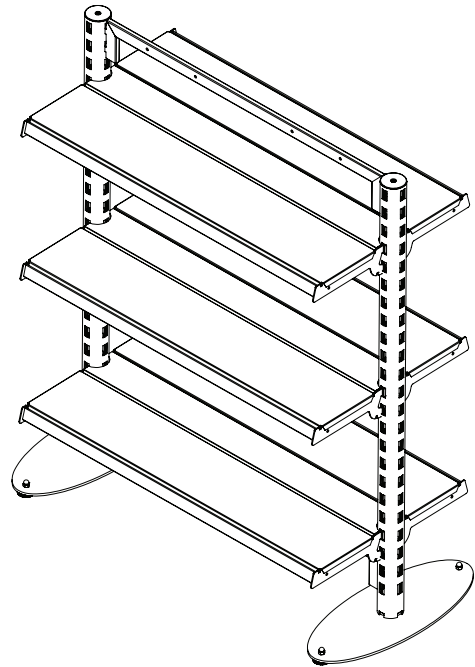
Wire Mesh - 6x 200mm Shelves Max - 180kg Max




Tie Bars - 6x 250mm Shelves - 180kg Max



Wire Mesh - 3x 200mm Shelves + Hooks - 90kg Max



Tie Bars - 6x 200mm Shelves - 180kg Max

 <p>SOLUTIONS IN RETAIL</p>	<p>THIS DOCUMENT MAY NOT BE SHOWN OR REPRODUCED BY ANY OTHER PARTY WITHOUT PRIOR WRITTEN CONSENT FROM SI RETAIL Pty Ltd. © 2020</p>	<p>ASSEMBLY INSTRUCTIONS</p>	<p>DRAWN BY: SI RETAIL</p>	<p>SHEET: 8/8</p>
	<p>TITLE: EZI-Q VOLCANO PEGBOARD CONFIG.</p>	<p>FILE NAME: EZI-Q_ASS_INST</p>	<p>REVISION: E</p>	