

# Upright

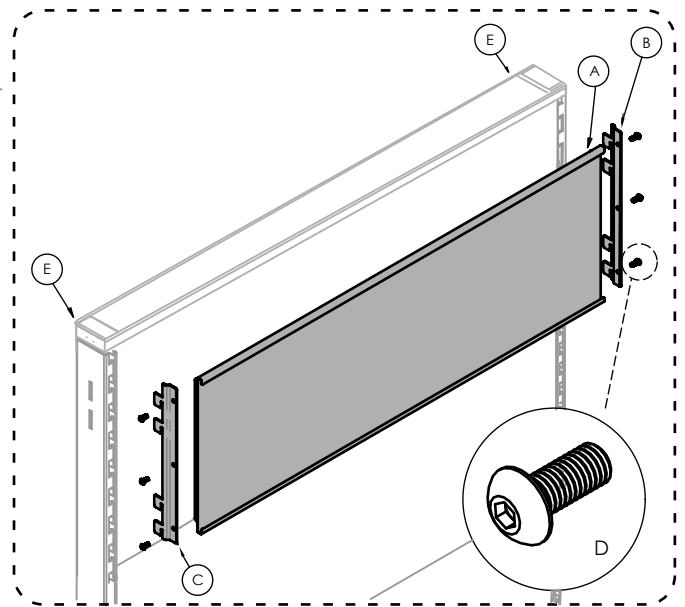
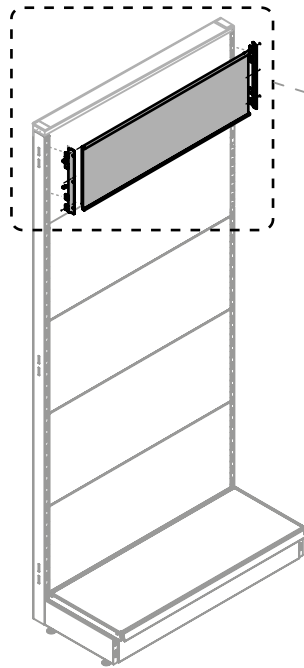
Assembly Option:

## Tools Required:



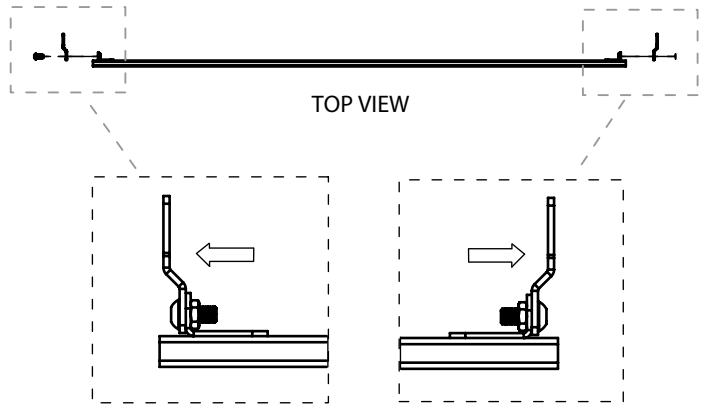
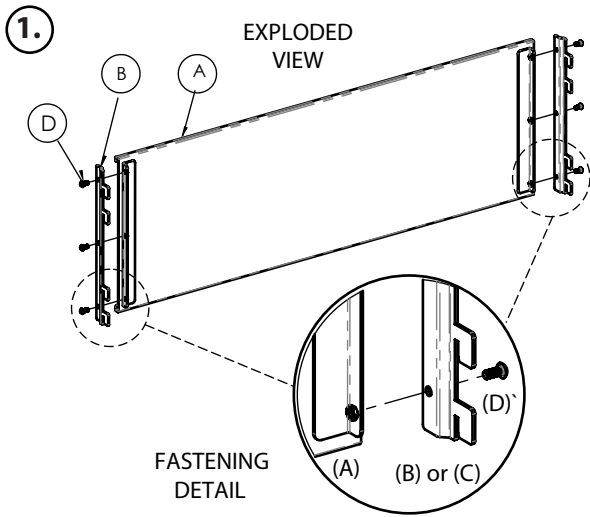
1 x M5 HEX KEY

| ITEM NO. | DESCRIPTION            | UPRIGHT/QTY. |
|----------|------------------------|--------------|
| A        | SIGN HOLDER            | 1            |
| B        | RIGHT BRACKET          | 1            |
| C        | LEFT BRACKET           | 1            |
| D        | M5 x 12mm BUTTON SCREW | 6            |
| E        | UPRIGHT                | 2            |

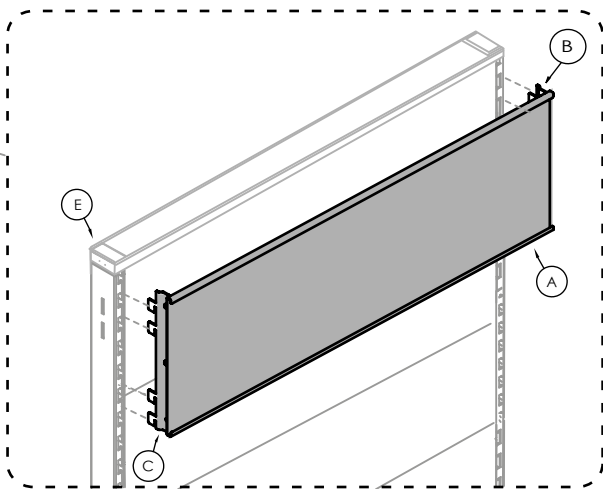
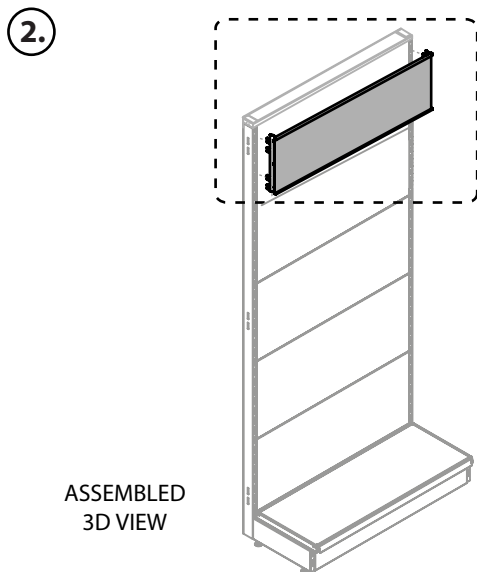


EXPLODED VIEW


PLEASE READ THE STEPS BELOW BEFORE COMMENCING ANY ASSEMBLY.



ENSURE **ALL** BOLTS ARE SECURELY FASTENED.



CONNECT THE (A) SIGNHOLDER TO (E) UPRIGHTS.

| ASSEMBLY INSTRUCTIONS  | CLIENT:<br>SI RETAIL                   | PROJECT No.<br>GD-V-XX-SH-300 | DATE:<br>24/1/2023 |
|--|--|-------------------------------|--------------------|
|  <p>THIS DOCUMENT MAY NOT BE SHOWN OR REPRODUCED BY ANY OTHER PARTY WITHOUT PRIOR WRITTEN CONSENT FROM SI RETAIL Pty Ltd. Copyright.</p> | PROJECT:<br>GONDOLA SIGNHOLDER UPRIGHT | DRAWN BY:<br>SI RETAIL        | SHEET:<br>1/2      |
|  | TITLE:<br>UPRIGHT SET-UP INSTRUCTIONS  | FILE NAME:<br>GD-V-SH-300     | REVISION:<br>B     |

# Extension

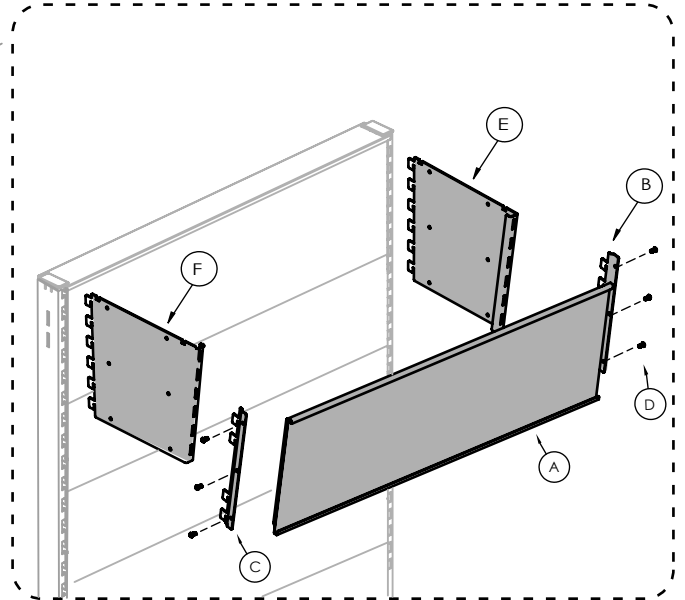
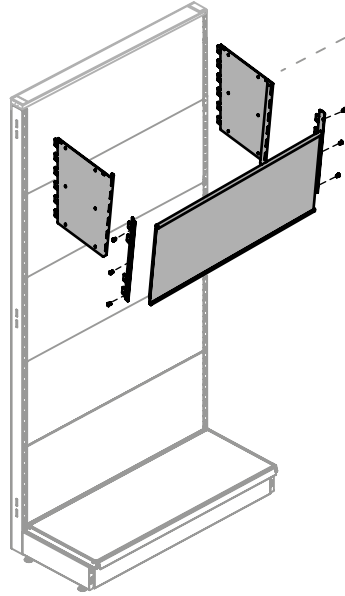
Assembly Option:

Tools Required:

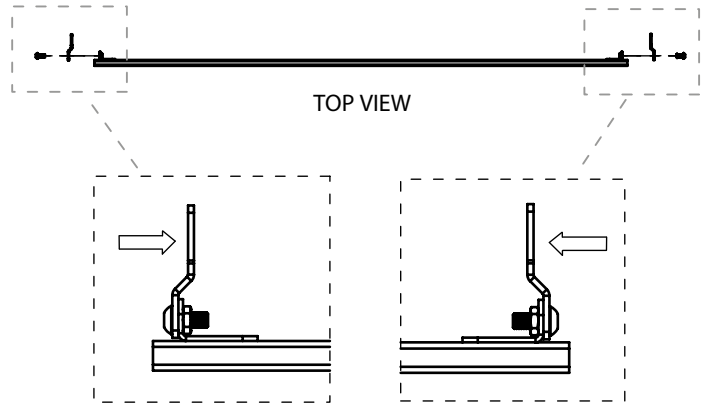
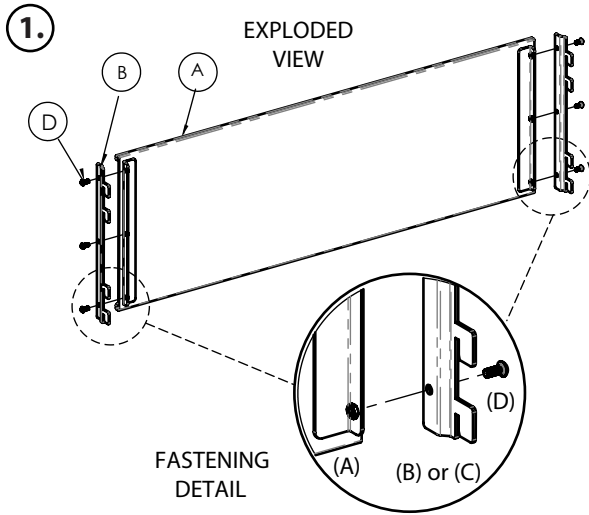


1 x M5 HEX KEY

| ITEM NO. | DESCRIPTION        | DEF/QTY. |
|----------|--------------------|----------|
| A        | SIGNHOLDER         | 1        |
| B        | RIGHT BRACKET      | 1        |
| C        | LEFT BRACKET       | 1        |
| D        | M5 x 12mm SCREW    | 6        |
| E        | RIGHT EXT. BRACKET | 2        |
| F        | LEFT EXT. BRACKET  | 2        |

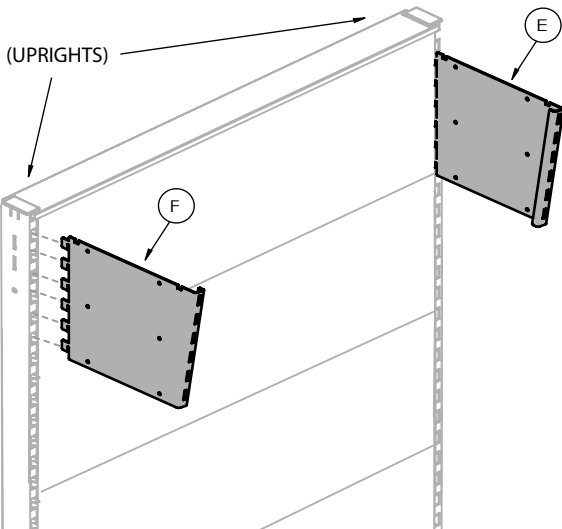


PLEASE READ THE STEPS BELOW BEFORE COMMENCING ANY ASSEMBLY.

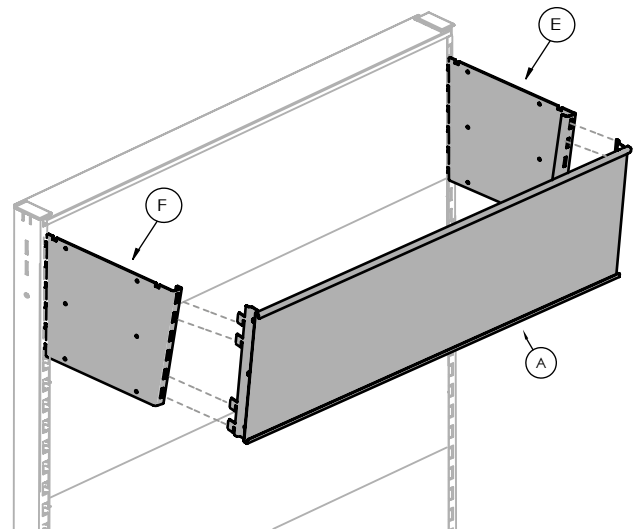


ENSURE **ALL** BOLTS ARE SECURELY FASTENED

**2.** CONNECT THE (E,F) EXTENSION BRACKETS TO THE UPRIGHTS.



**3.** CONNECT (A) SIGNHOLDER TO (E,F) EXTENSION BRACKETS.



## ASSEMBLY INSTRUCTIONS



THIS DOCUMENT  
MAY NOT BE  
SHOWN OR  
REPRODUCED BY  
ANY OTHER PARTY  
WITHOUT PRIOR  
WRITTEN CONSENT  
FROM SI RETAIL Pty  
Ltd. Copyright.

CLIENT:  
SI RETAIL

PROJECT:  
GONDOLA SIGNHOLDER EXTENSION

TITLE:  
EXTENSION SET-UP INSTRUCTIONS

PROJECT No.  
GD-V-XX-SH-300

DRAWN BY:  
SI RETAIL

FILE NAME:  
GD-V-SH-300

DATE:  
24/1/2023

SHEET:  
2/2

REVISION:  
B