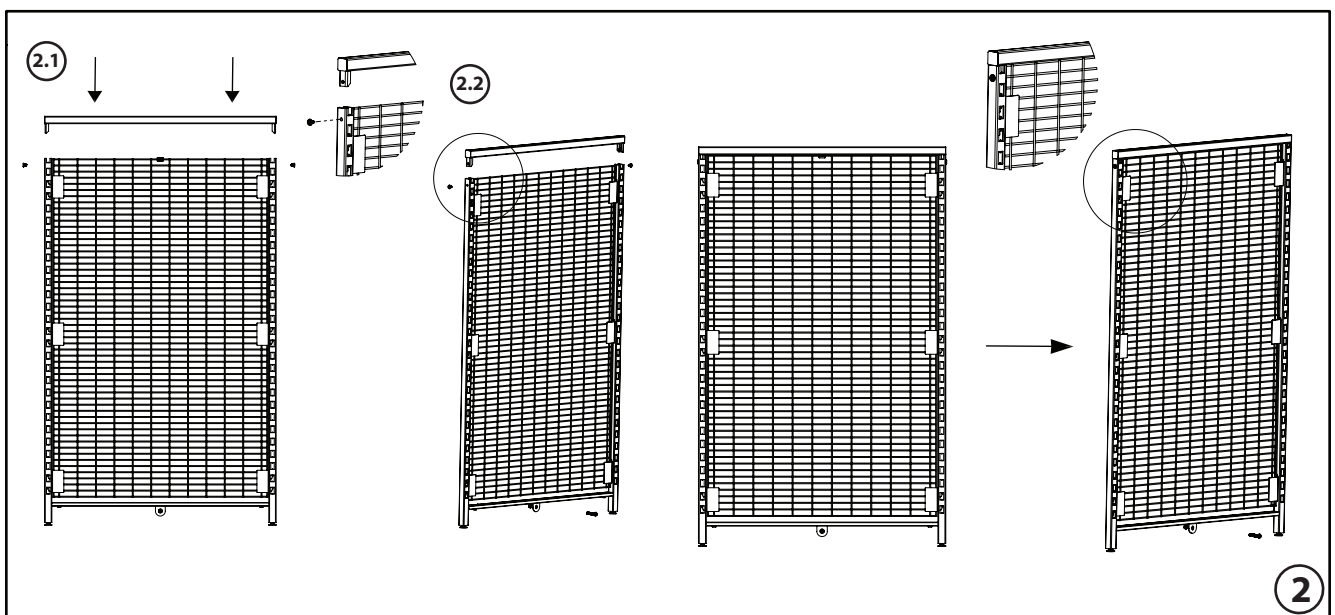
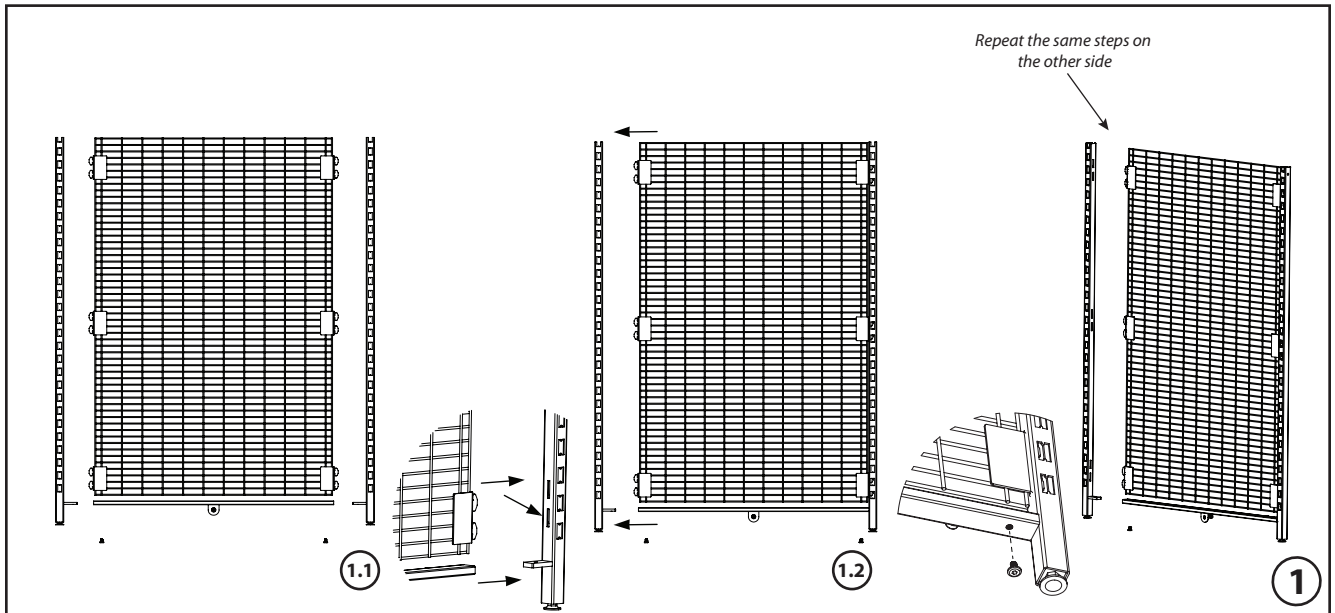
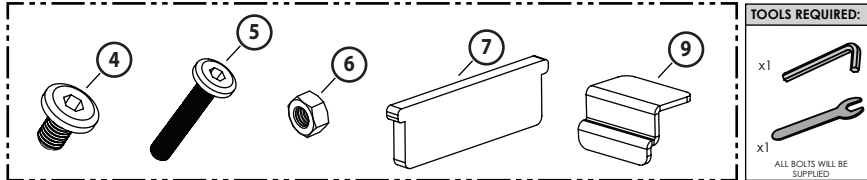
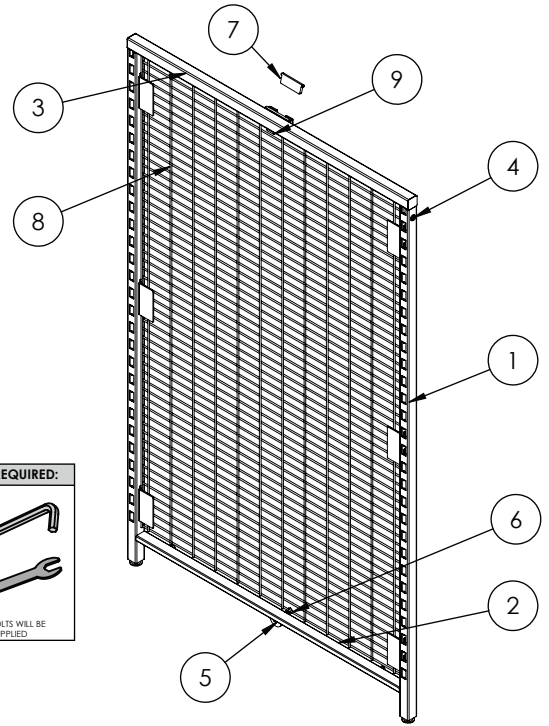
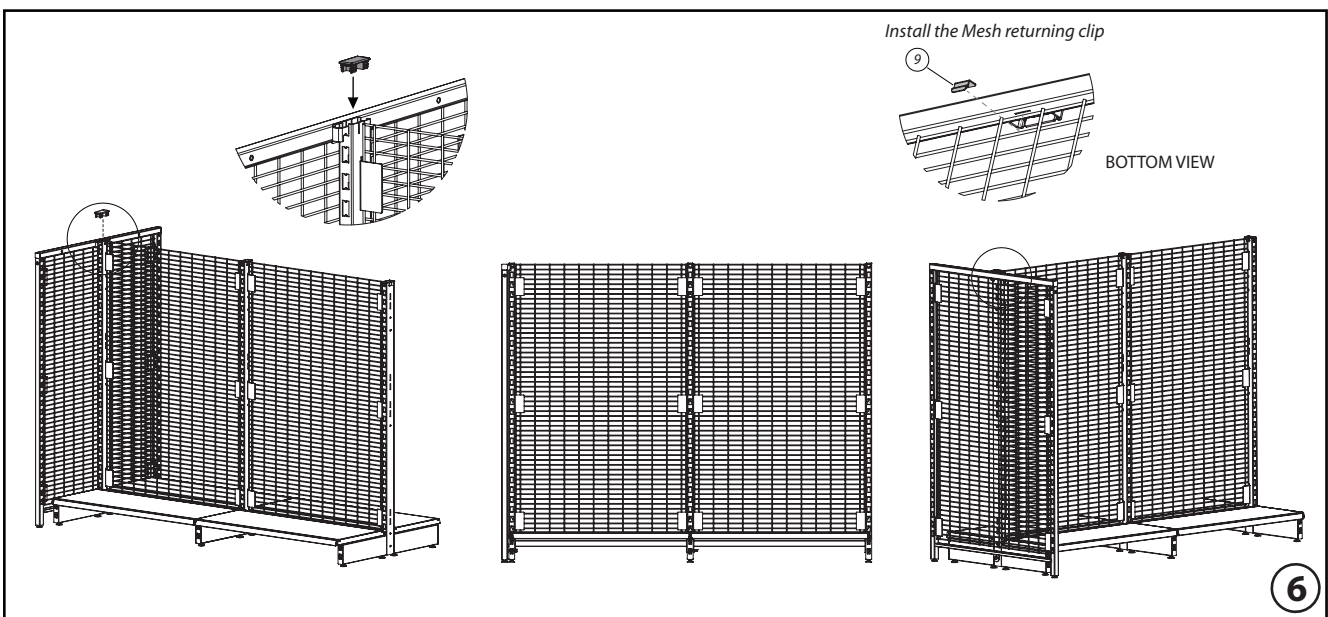
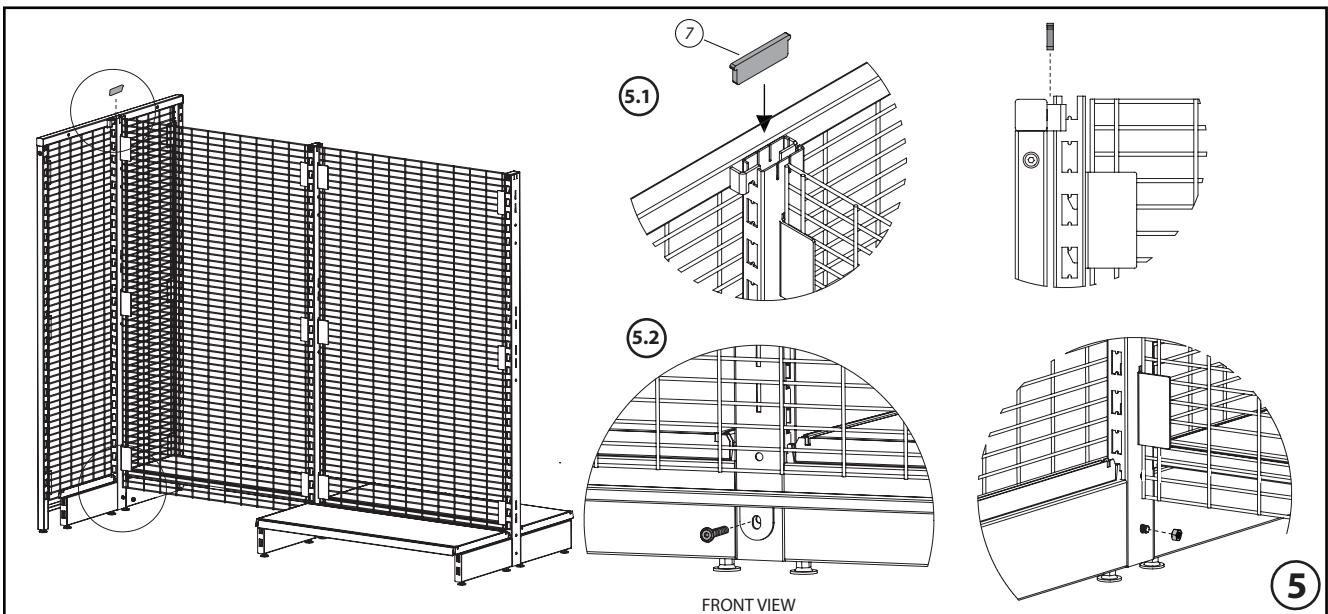
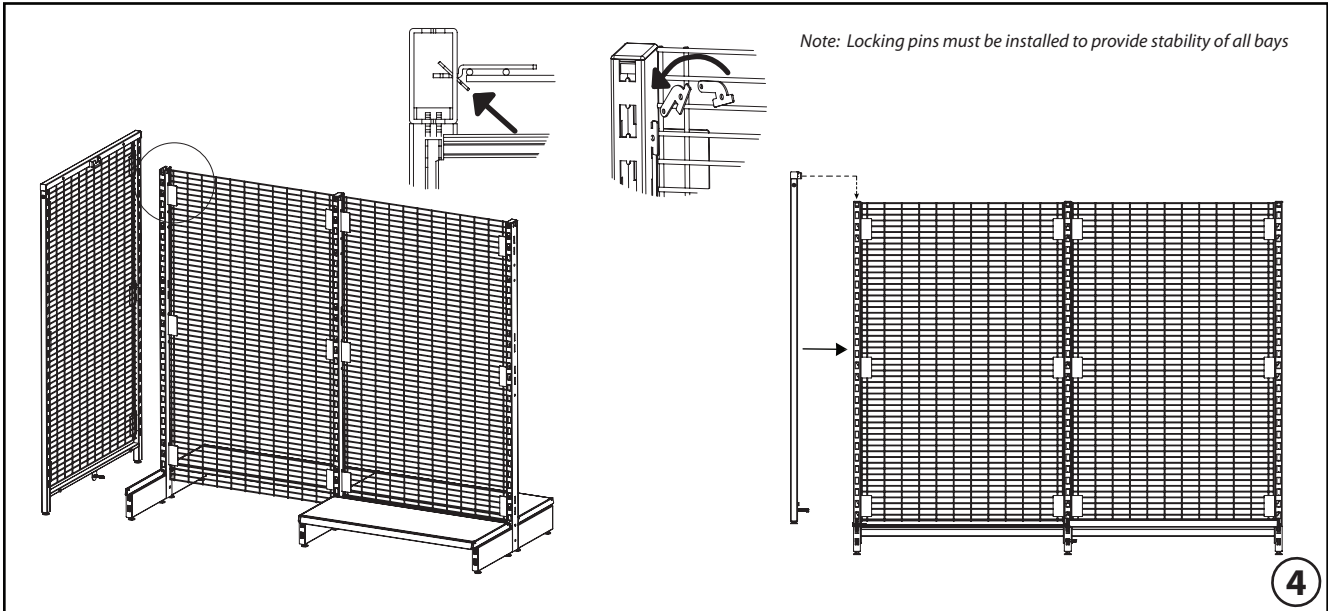


# END CAP - WIRE MESH

ITEM NO.	PART NUMBER	DESCRIPTION	QTY.
1	GD-V-E-RU-15	UPRIGHT	2
2	GD-V-E-LB-9_15	LOWER BAR ASSEMBLY - 914 BAY	1
3	GD-V-E-TB-9	TOP BAR ASSEMBLY - 914 BAY	1
4	GD-V-E-M6 BOLT	M6x12mm FURNITURE BOLT	4
5	GD-V-E-M8 BOLT	M8x50 FLAT SOCKET HEAD BOLT	1
6	GD-V-E-TB-300	M6 HEX NUT	1
7	GD-V-E-TB-80	TAB STOP GAP	1
8	GD-V-WM	WIRE MESH	1
9	GD-V-E-TB-80	RETURNING CLIP WIRE MESH	1



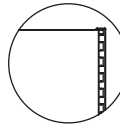


# END CAP - VERSA PANEL

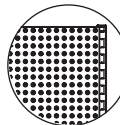
ITEM NO.	PART NUMBER	DESCRIPTION	QTY.
1	GD-V-E-RU-15	UPRIGHT	2
2	GD-V-E-LB-9_15	LOWER BAR ASSEMBLY - 914 BAY	1
3	GD-V-E-TB-9	TOP BAR ASSEMBLY - 914 BAY	1
4	GD-V-E-M6 BOLT	M6x12mm FURNITURE BOLT	4
5	GD-V-FM-914-xxx	VERSA FLAT METAL BACK*	4 - 8
6	GD-V-E-TB-300	M6 HEX NUT	1
7	GD-V-E-M8 BOLT	M8x50 FLAT SOCKET HEAD BOLT	1
8	GD-V-E-TB-80	TAB STOP GAP	1
9	GD-V-TBI	TIE BAR	2

PANEL OPTIONS:

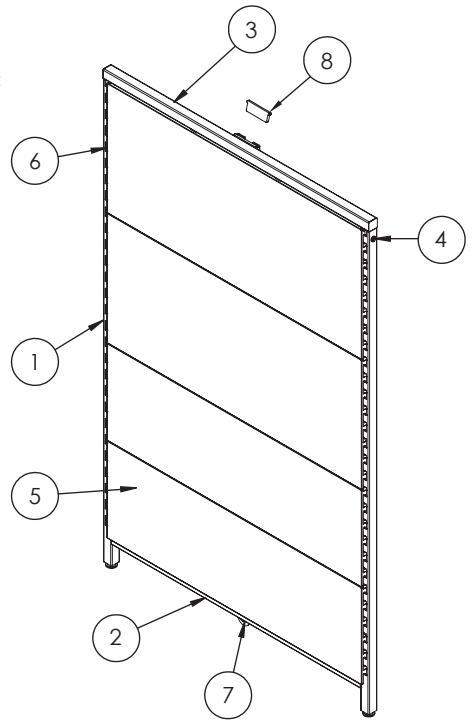
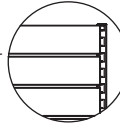
FLAT



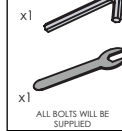
VOLCANO



SLAT



TOOLS REQUIRED:



TIE BAR KIT

