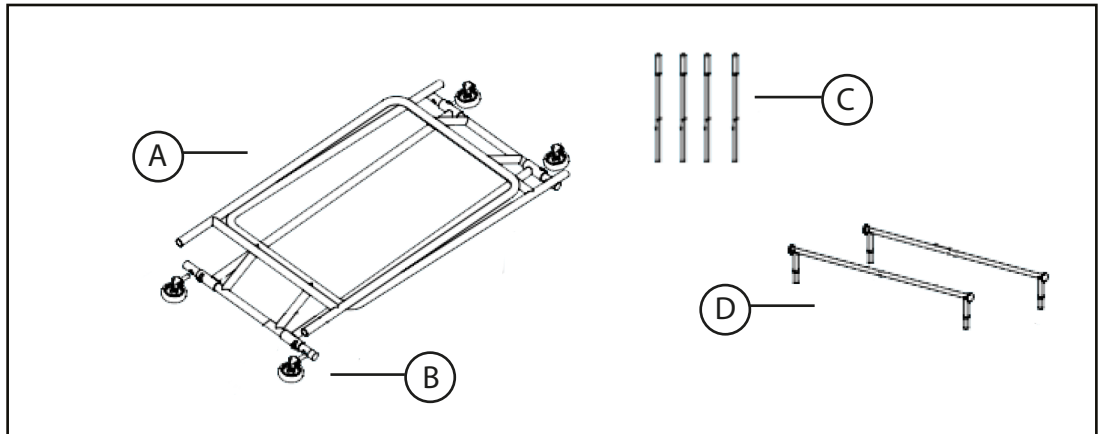


# MOBILE GARMENT RACKS ASSEMBLY INSTRUCTION

## PARTS LIST

LETTER	DESCRIPTION
A	BASE
B	CASTER WHEELS
C	ADJUSTABLE BARS
D	HANGBARS

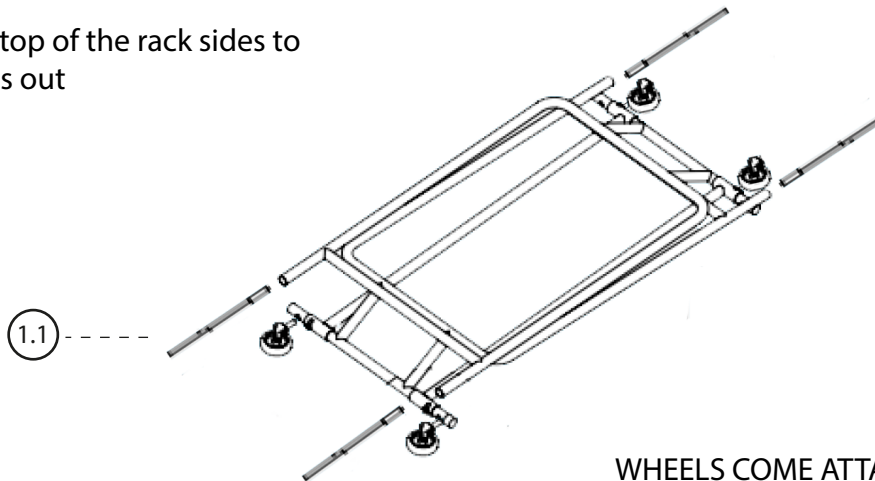
## TOOLS REQUIRED



**PLEASE READ THE STEPS BELOW BEFORE COMMENCING ANY ASSEMBLY**

**1**

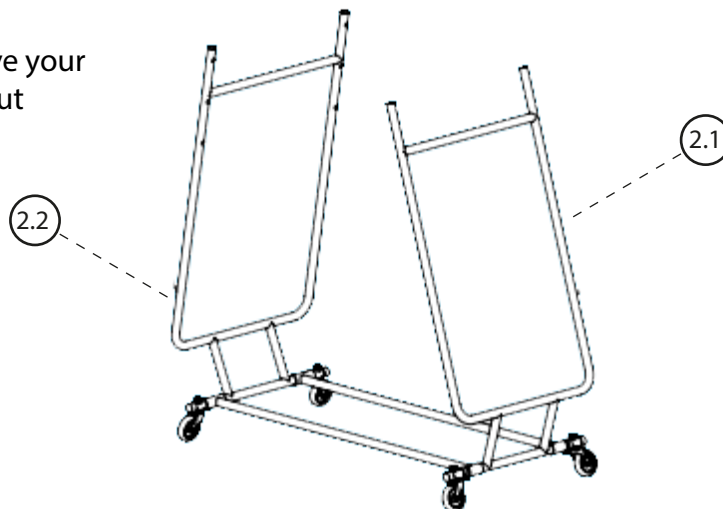
Press button at the top of the rack sides to slide adjustable bars out



WHEELS COME ATTACHED TO THE BASE

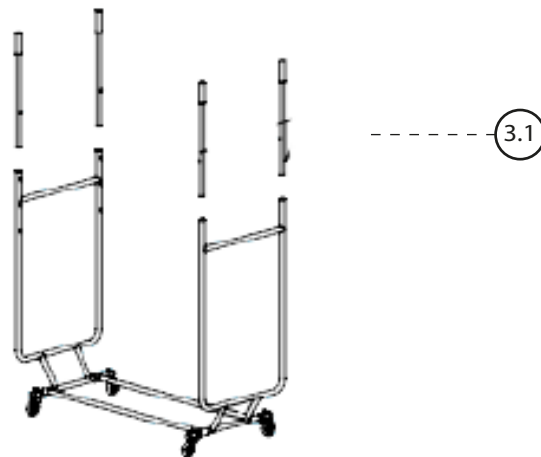
**2**

Unfold the sides and have your helper to stretch them out



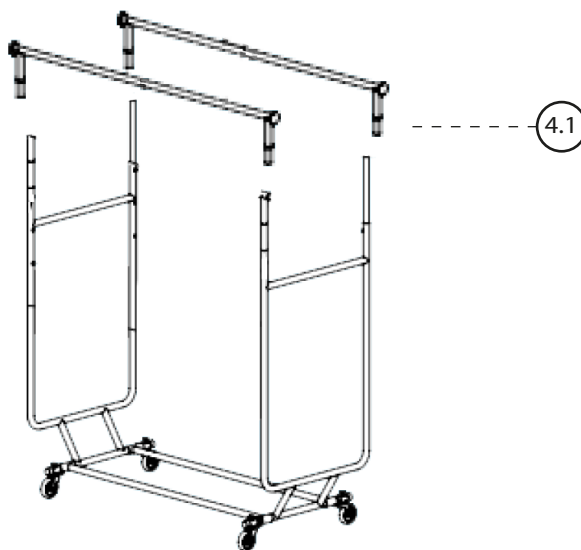
3

Insert the adjustable bars



4

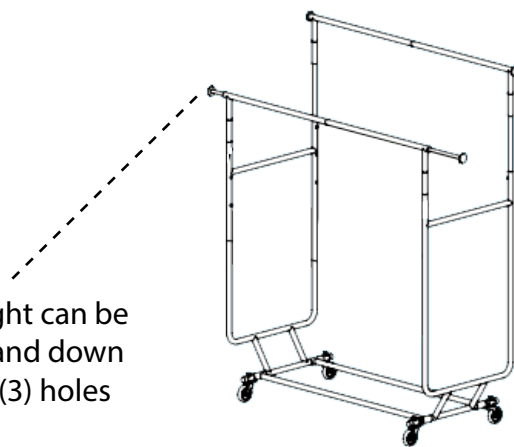
Insert the hangbars



UPRIGHTS CAN FALL WHILE INSTALLING HANGBARS, 2 PEOPLE ARE RECOMMENDED FOR THIS STEP

5

Hangbar Height can be adjusted up and down using these (3) holes



End caps can slide in and out for more hanging space if needed