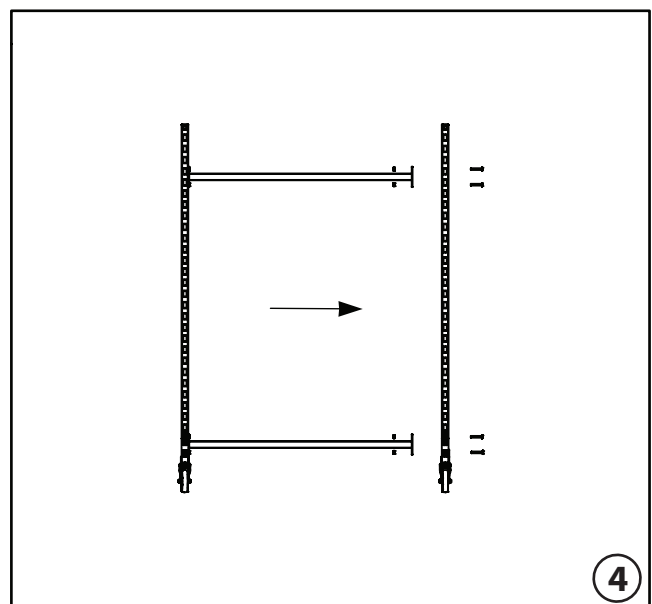
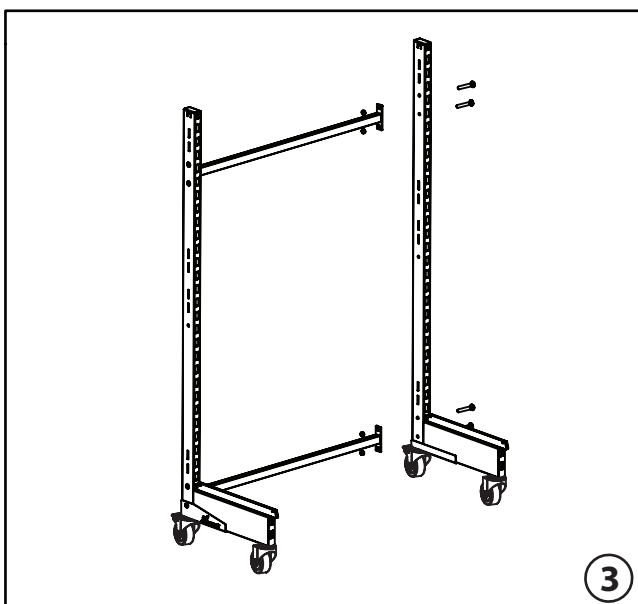
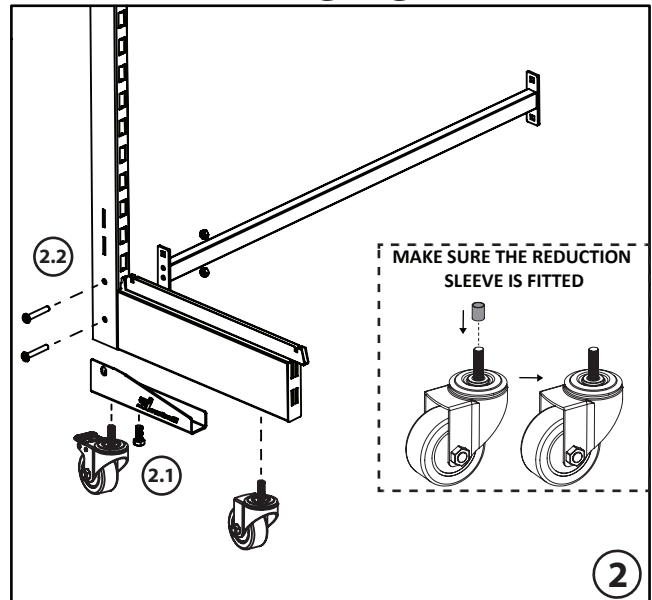
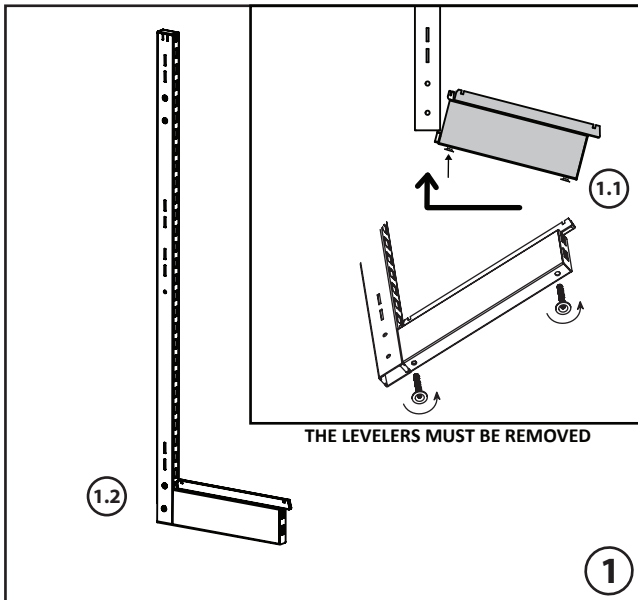
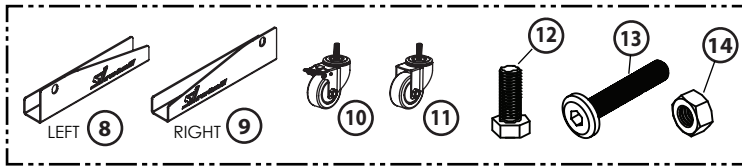
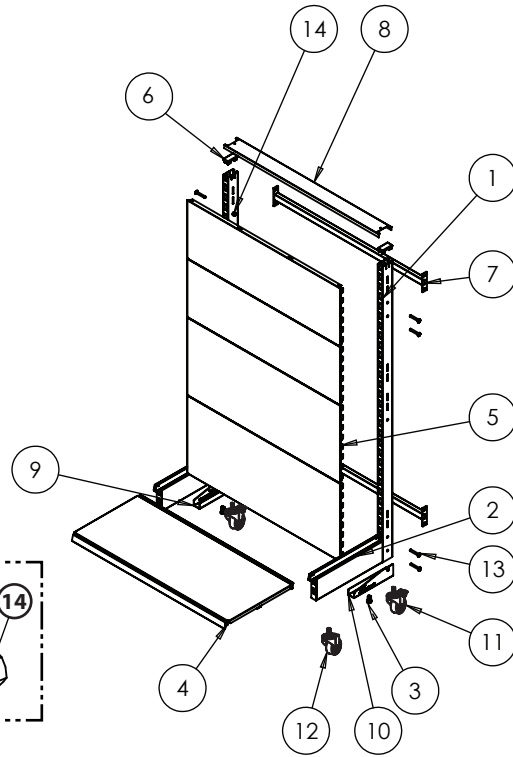
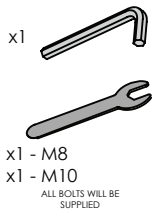


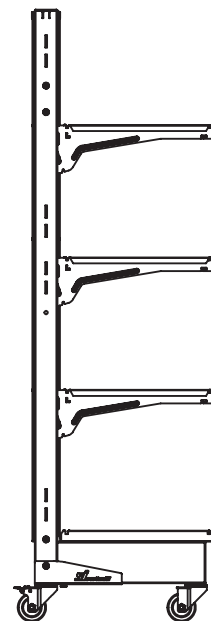
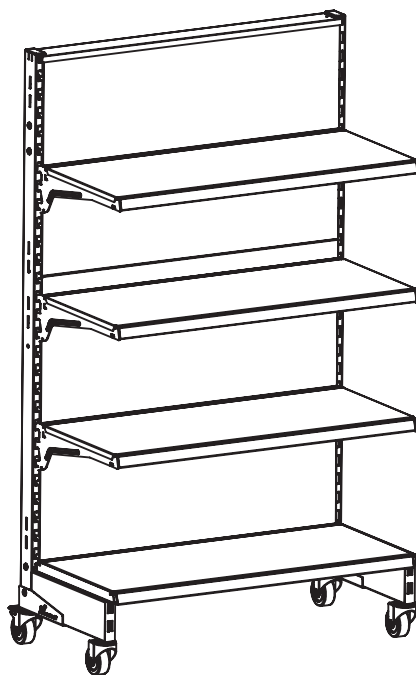
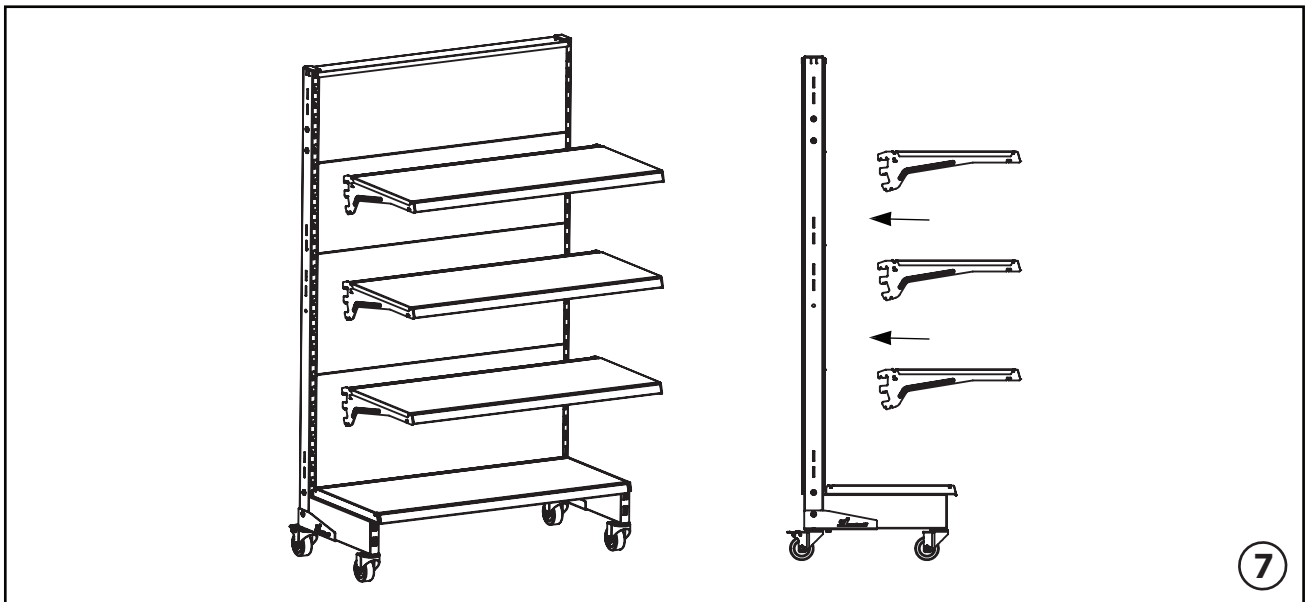
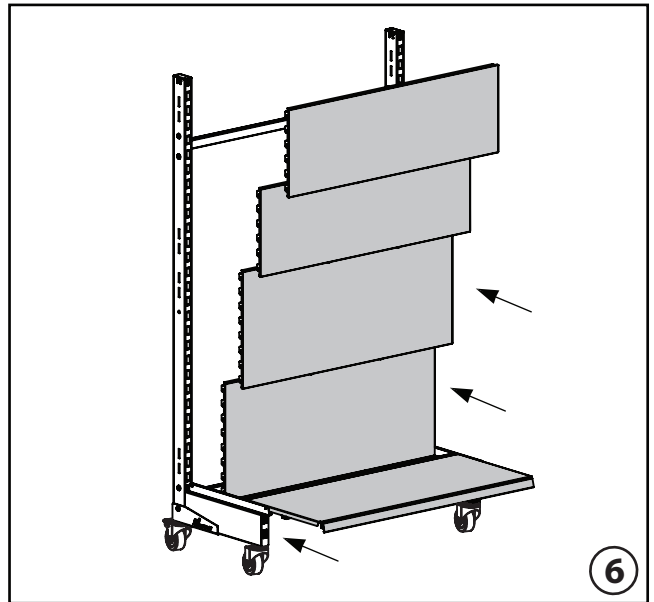
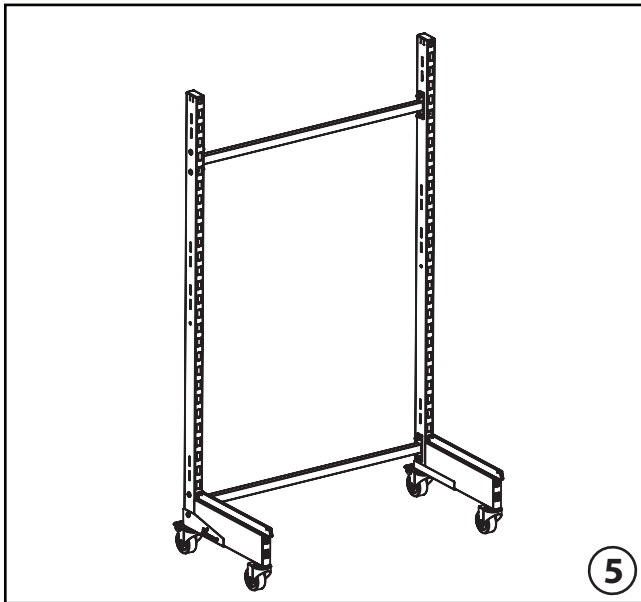
VERSA MOBILE KIT

End Bay

ITEM N.	DESCRIPTION PART	QTY.
1	UPRIGHT	-
2	FOOT	-
3	TOP COVER - OPTIONAL	-
4	BASE SHELF	-
5	FLAT PANEL	-
6	TOP CAP	-
7	TIE-BAR	-
8	BRACKET JOIN BASE - LEFT	1
9	BRACKET JOIN BASE - RIGHT	1
10	CASTER - LOCK	2
11	CASTER - UNLOCK	2
12	M10x25mm HEX BOLT	2
13	M8x50mm ALLEN BOLT	8
14	NUT M8	8

TOOLS REQUIRED:



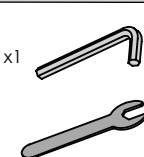


VERSA MOBILE KIT

1 Bay - Double side

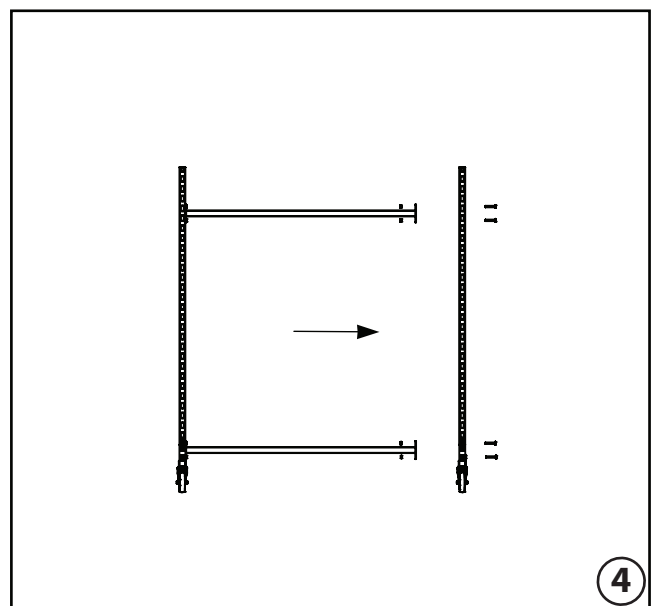
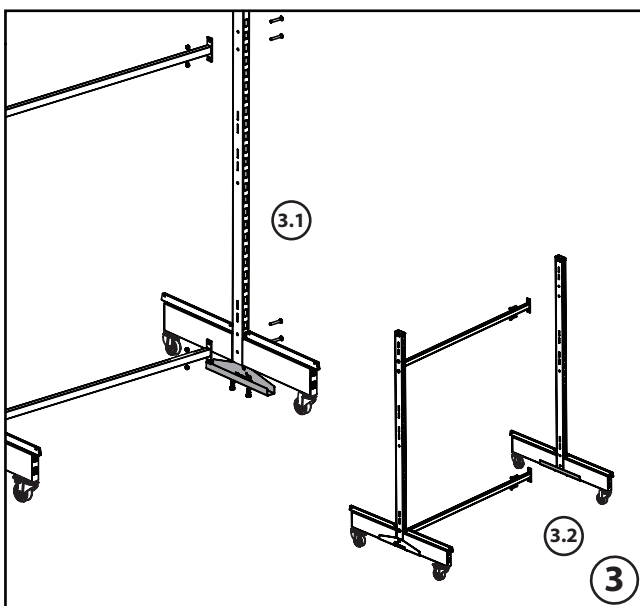
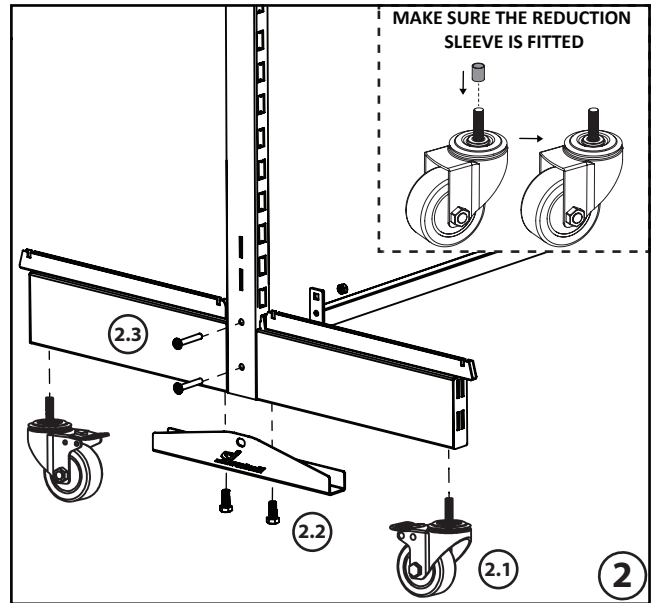
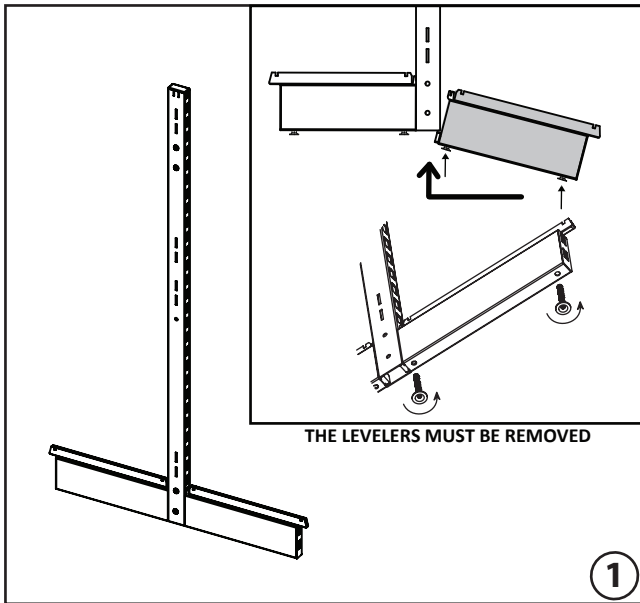
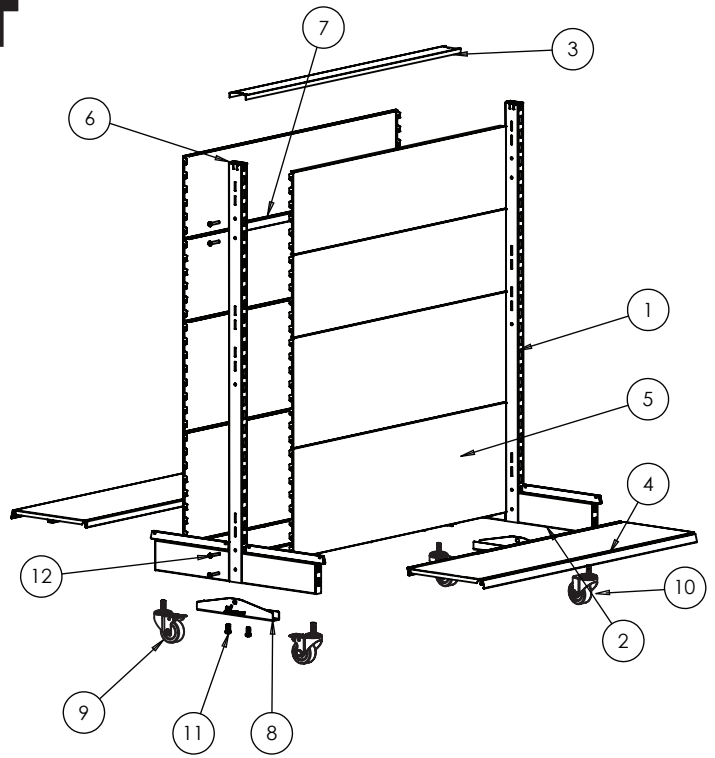
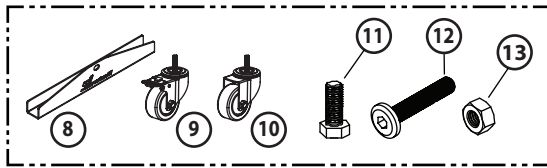
ITEM N.	DESCRIPTION PART	QTY.
1	UPRIGHT	-
2	FOOT	-
3	TOP COVER - OPTIONAL	-
4	BASE SHELF	-
5	FLAT PANEL	-
6	TOP CAP	-
7	TIE-BAR	-
8	BRACKET JOIN BASE - END L/R	2
9	CASTER - LOCK	2
10	CASTER - UNLOCK	2
11	M10x25mm HEX BOLT	4
12	M8x50mm ALLEN BOLT	8
13	NUT M8	8

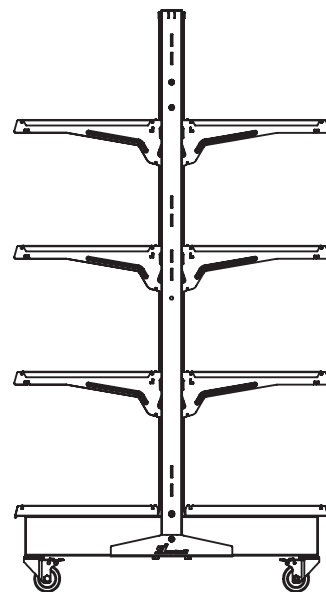
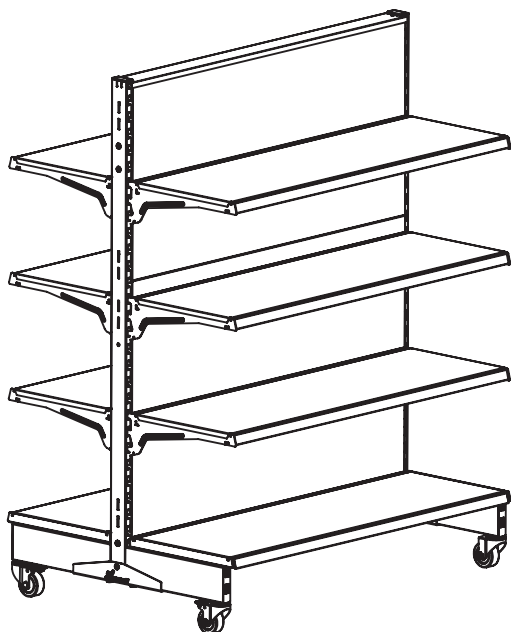
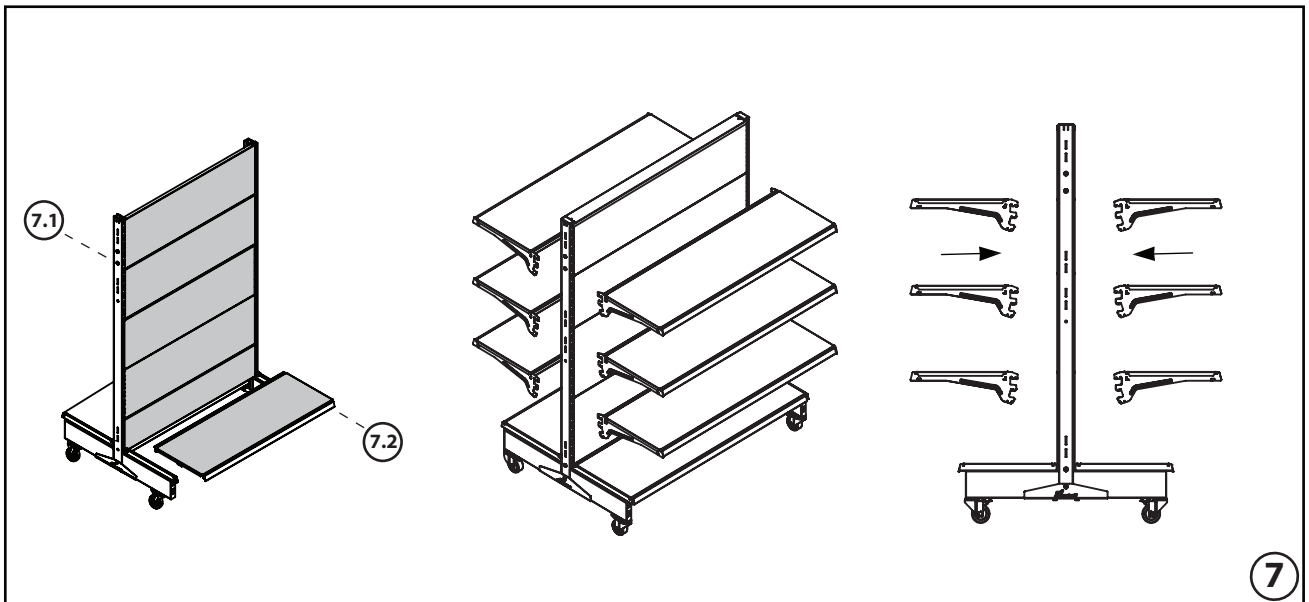
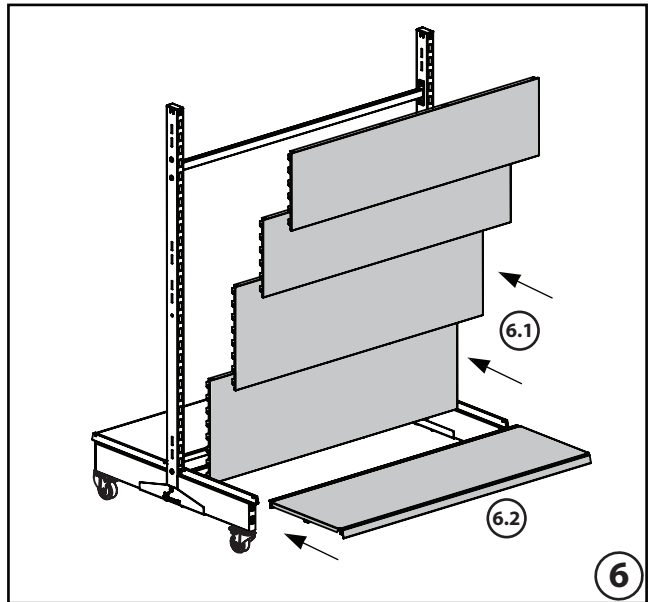
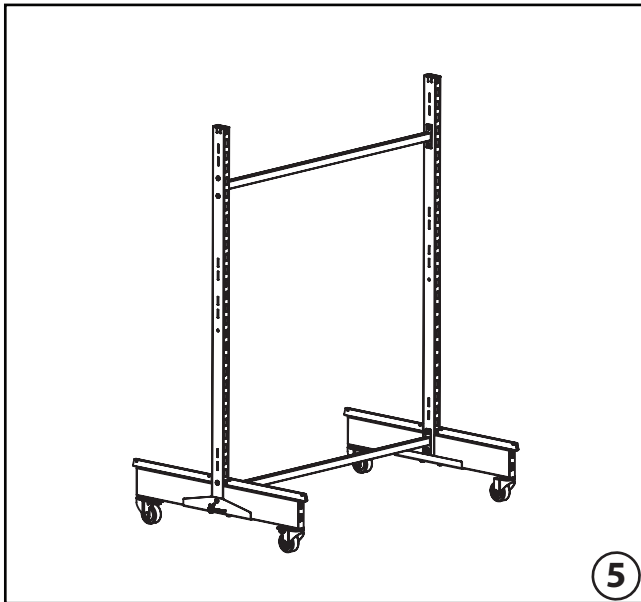
TOOLS REQUIRED:



x1

x1 - M8
x1 - M10
ALL BOLTS WILL BE SUPPLIED







VERSA MOBILE KIT

2 Bay - Double side

ITEM N.	DESCRIPTION PART	QTY.
1	UPRIGHT	-
2	FOOT	-
3	TOP COVER - OPTIONAL	-
4	BASE SHELF	-
5	FLAT PANEL	-
6	TOP CAP	-
7	TIE-BAR	-
8	BRACKET JOIN BASE - END L/R	2
9	BRACKET JOIN BASE - MID	1
10	CASTER - LOCK	2
11	CASTER - UNLOCK	4
12	M10x25mm HEX BOLT	6
13	M8x50mm ALLEN BOLT	12
14	NUT M8	12

TOOLS REQUIRED:

- x1 
- x1 
- x1 - M8
- x1 - M10

ALL BOLTS WILL BE SUPPLIED

